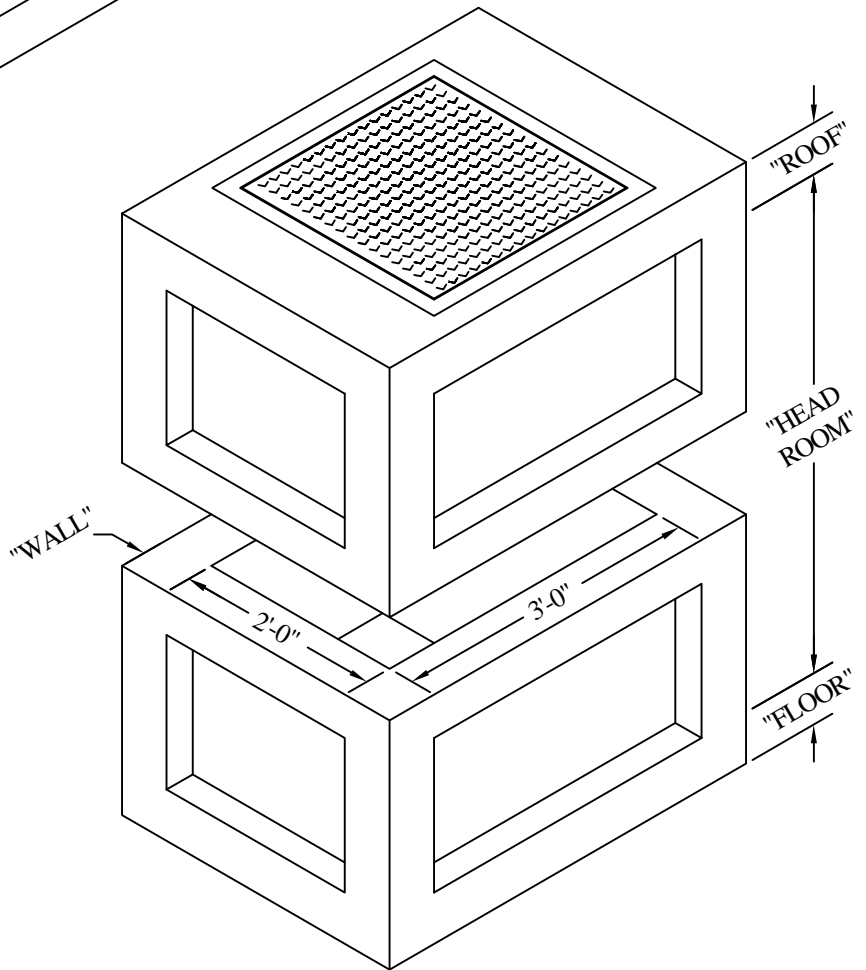
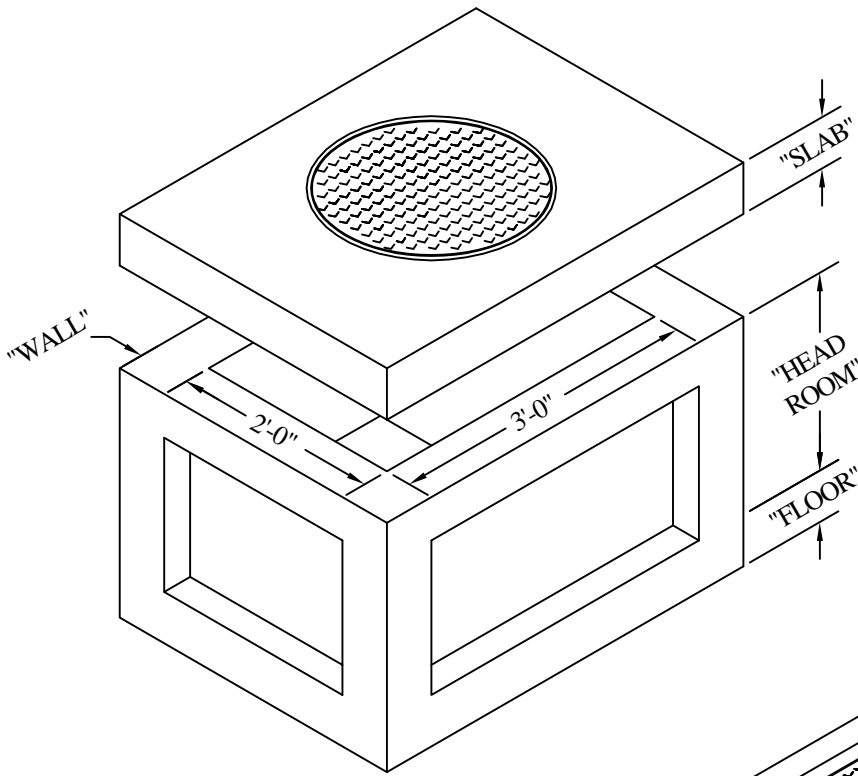


**2'-0" X 3'-0"**  
STANDARD MANHOLE

One-Piece Manhole				
HEADROOM		SLAB	WALL	FLOOR
MIN.	MAX.	6"	6"	6"
3'-0"	4'-6"			



Two-Piece Manhole				
HEADROOM		ROOF	WALL	FLOOR
MIN.	MAX.	6"	6"	6"
6'-0"	9'-0"			

**AC MILLER**  
CONCRETE PRODUCTS, INC.  
WWW.ACMILLER.COM

31 E. BRIDGE ST.  
SPRING CITY  
PA. 19475

PHONE:  
(610) 948-4600  
FAX:  
(610) 948-9750

RT.22 WEST  
BLAIRSVILLE,  
PA. 15717

PHONE:  
(724) 459-5950  
FAX:  
(724) 459-9151

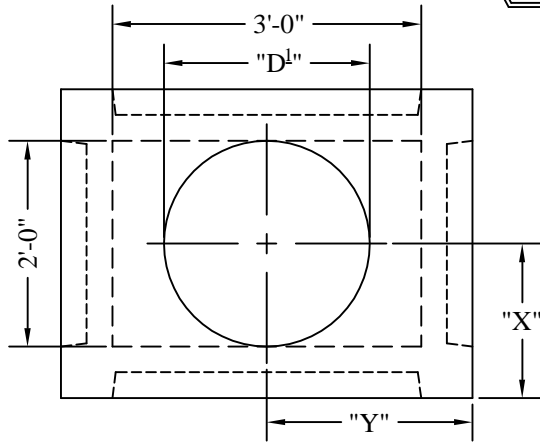
Precast Concrete Utility Vaults  
2'-0" X 3'-0" Manhole  
with Standard Knockout Panels

FILE NAME: 02x03 MANHOLE P1

DATE: 8/20/03

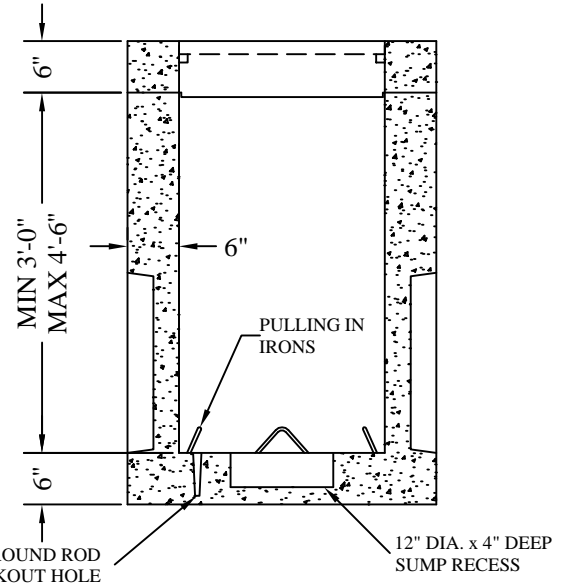
DRAWN BY: BTH

**2'-0" X 3'-0"**  
STANDARD MANHOLE



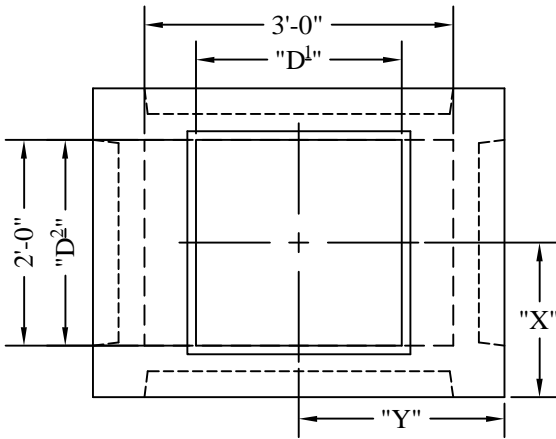
PLAN VIEW

**ONE-PIECE MANHOLE**

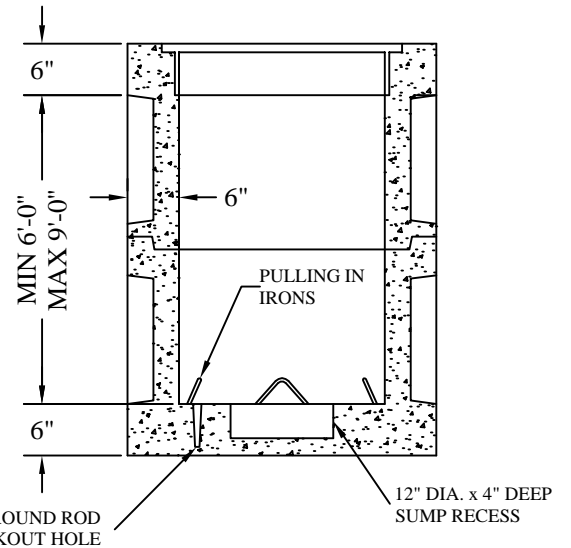


SECTION VIEW

**TWO-PIECE MANHOLE**



PLAN VIEW



SECTION VIEW

"X" = \_\_\_\_\_  
 "Y" = \_\_\_\_\_  
 "D<sup>1</sup>" = \_\_\_\_\_  
 "D<sup>2</sup>" = \_\_\_\_\_

CIRCLE ALL THAT IS APPLICABLE

FRAME AND COVER, HATCH OR NONE

IF HATCH OR FRAME AND COVER:

CAST IN SLAB OR SEPERATE

\* PLEASE NOTE:  
ACM USES INSIDE DIMENSIONS TO  
DESCRIBE VAULT SIZE.

\* FOR ANY ADDITIONAL  
INFORMATION PLEASE CONTACT  
A.C. MILLER SALES  
REPRESENTATIVE

JOB: \_\_\_\_\_  
 CUSTOMER: \_\_\_\_\_  
 DRAWING \_\_\_ OF \_\_\_

LIVE LOAD: HS-20  
 EARTH COVER: 0 to 2 ft.  
 CONCRETE: 5000 psi AT 28 DAYS  
 REBAR: GRADE 60, ASTM A615 SPEC'S  
 PRECAST CONCRETE VAULT CONFORMS TO ASTM  
 C890 AND C913 SPECIFICATIONS



31 E. BRIDGE ST. PHONE: (610) 948-4600  
 SPRING CITY FAX: (610) 948-9750  
 PA. 19475

RT.22 WEST PHONE: (724) 459-5950  
 BLAIRSVILLE, FAX: (724) 459-9151  
 PA. 15717

Precast Concrete Utility Vaults  
 2'-0" X 3'-0" Manhole  
 with Standard Knockout Panels

FILE NAME: 02x03 MANHOLE P2

DATE: 8/20/03

DRAWN BY: BTH