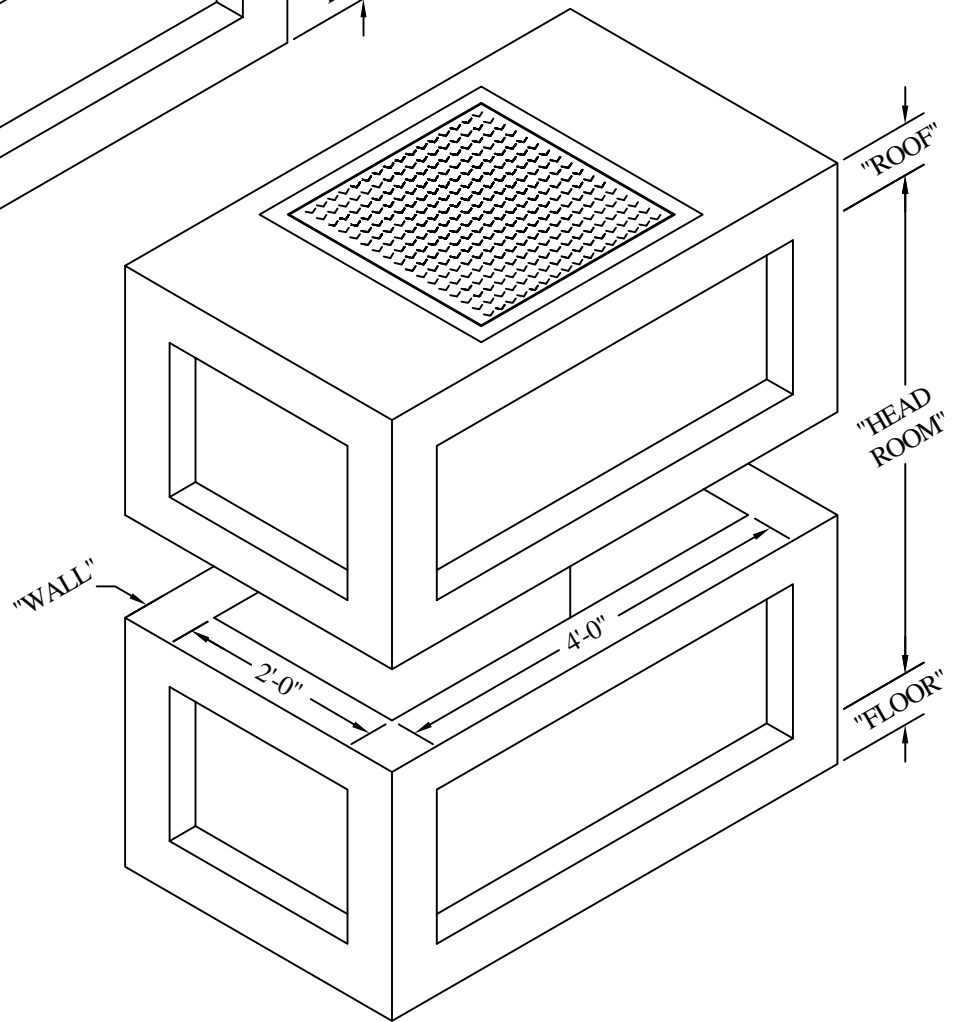
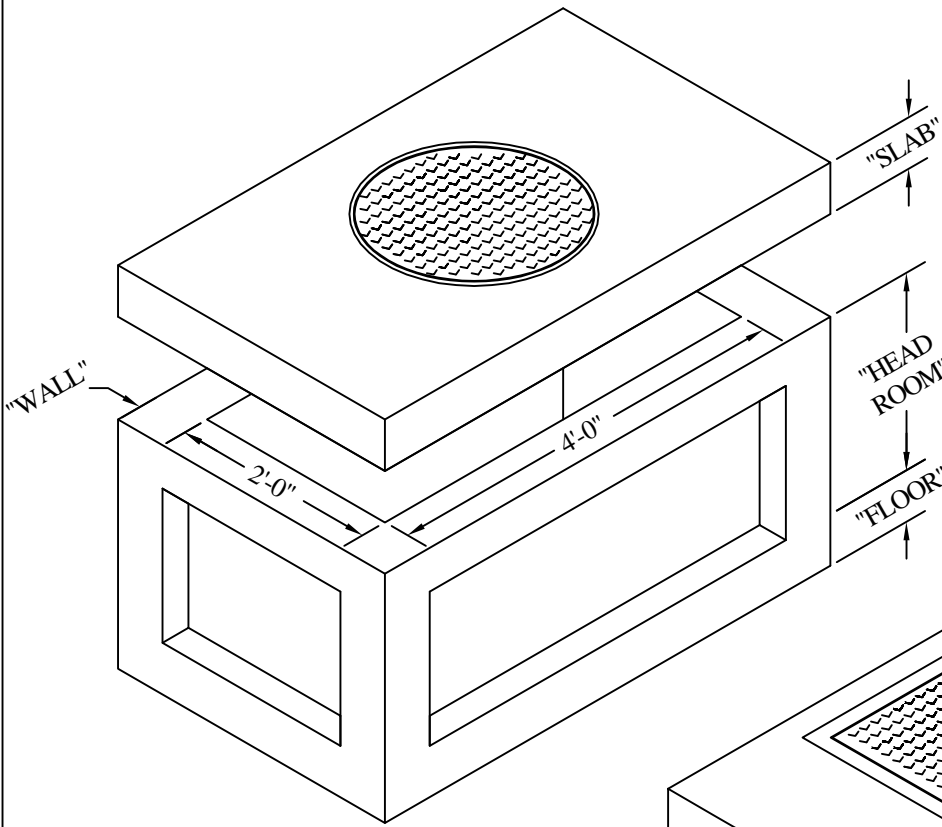


2'-0" X 4'-0"
STANDARD MANHOLE

One-Piece Manhole				
HEADROOM		SLAB	WALL	FLOOR
MIN.	MAX.	6"	6"	6"
3'-0"	4'-0"			



Two-Piece Manhole				
HEADROOM		ROOF	WALL	FLOOR
MIN.	MAX.	6"	6"	6"
6'-0"	8'-0"			

AC MILLER
CONCRETE PRODUCTS, INC.
WWW.AC MILLER.COM

31 E. BRIDGE ST.
SPRING CITY
PA. 19475

PHONE: (610) 948-4600
FAX: (610) 948-9750

RT.22 WEST
BLAIRSVILLE,
PA. 15717

PHONE: (724) 459-5950
FAX: (724) 459-9151

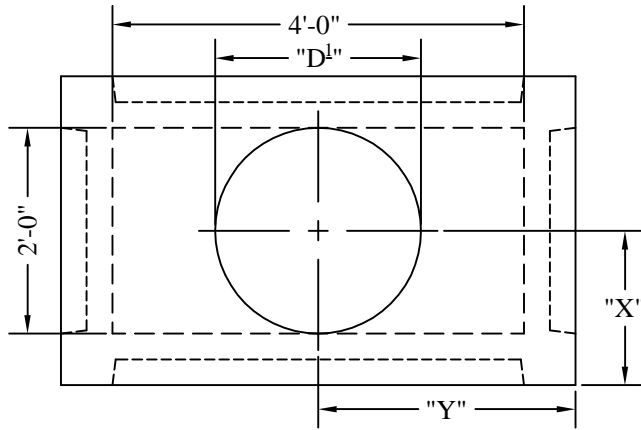
Precast Concrete Utility Vaults
2'-0" X 4'-0" Manhole
with Standard Knockout Panels

FILE NAME: 02x04 MANHOLE P1

DATE: 8/20/03

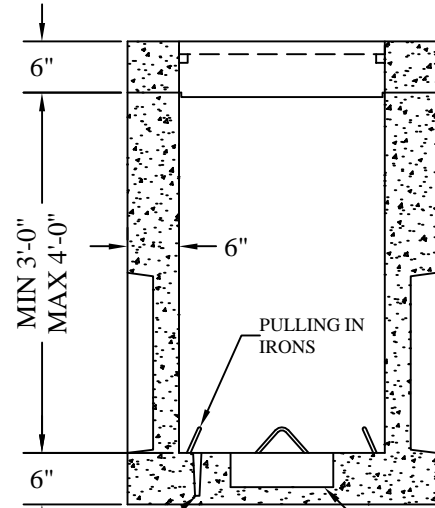
DRAWN BY: BTH

2'-0" X 4'-0"
STANDARD MANHOLE



PLAN VIEW

ONE-PIECE MANHOLE

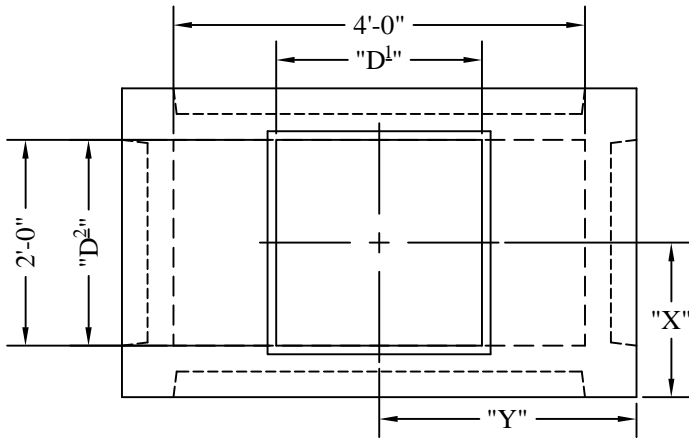


STD' ACM GROUND ROD
KNOCKOUT HOLE

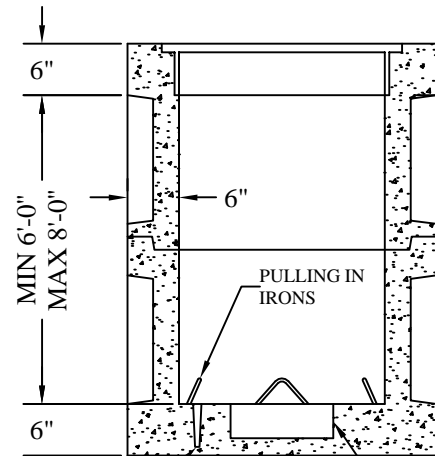
12" DIA. x 4" DEEP
SUMP RECESS

SECTION VIEW

TWO-PIECE MANHOLE



PLAN VIEW



STD' ACM GROUND ROD
KNOCKOUT HOLE

12" DIA. x 4" DEEP
SUMP RECESS

SECTION VIEW

"X" = _____
"Y" = _____
"D1" = _____
"D2" = _____

CIRCLE ALL THAT IS APPLICABLE.

FRAME AND COVER, HATCH OR NONE

IF HATCH OR FRAME AND COVER:

CAST IN SLAB OR SEPERATE

* PLEASE NOTE:
ACM USES INSIDE DIMENSIONS TO
DESCRIBE VAULT SIZE.

* FOR ANY ADDITIONAL
INFORMATION PLEASE CONTACT
A.C. MILLER SALES
REPRESENTATIVE

JOB: _____
CUSTOMER: _____
DRAWING ___ OF ___

LIVE LOAD: HS-20
EARTH COVER: 0 to 2 ft.
CONCRETE: 5000 psi AT 28 DAYS
REBAR: GRADE 60, ASTM A615 SPEC'S
PRECAST CONCRETE VAULT CONFORMS TO ASTM
C890 AND C913 SPECIFICATIONS

AC MILLER
CONCRETE PRODUCTS, INC.
WWW.AC MILLER.COM
NPCA
CERTIFIED PLANT

31 E. BRIDGE ST.
SPRING CITY
PA. 19475
PHONE: (610) 948-4600
FAX: (610) 948-9750

RT.22 WEST
BLAIRSVILLE,
PA. 15717
PHONE: (724) 459-5950
FAX: (724) 459-9151

Precast Concrete Utility Vaults
2'-0" X 4'-0" Manhole
with Standard Knockout Panels

FILE NAME: 02x04 MANHOLE P2

DATE: 8/20/03

DRAWN BY: BTH