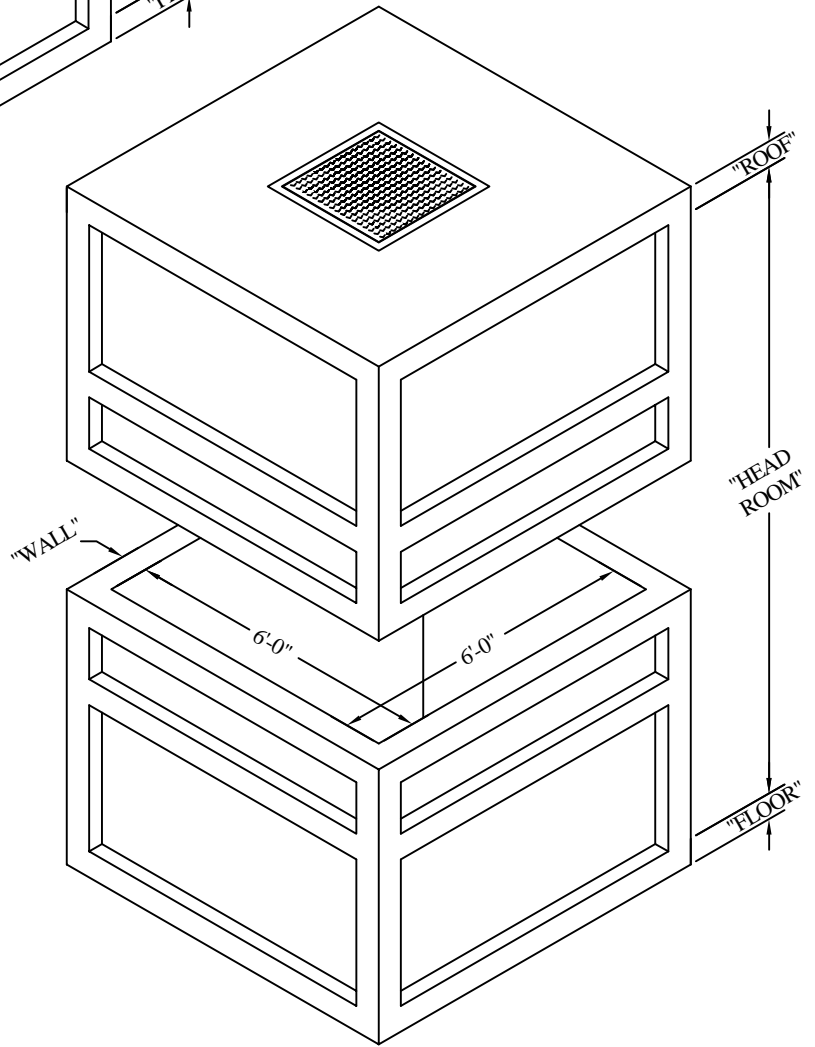
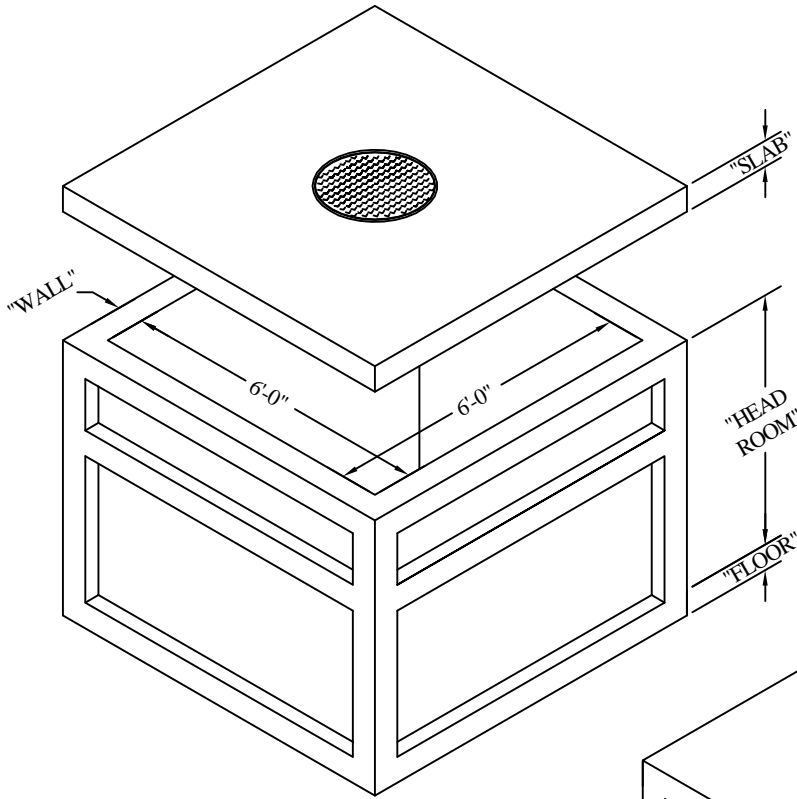


**6'-0" X 6'-0"**  
STANDARD MANHOLE

| One-Piece Manhole |       |      |          |       |
|-------------------|-------|------|----------|-------|
| HEADROOM          |       | SLAB | WALL     | FLOOR |
| MIN.              | MAX.  |      |          |       |
| 6'-0"             | 8'-0" | 6"   | 6" OR 8" | 6"    |



| Two-Piece Manhole |        |      |          |       |
|-------------------|--------|------|----------|-------|
| HEADROOM          |        | ROOF | WALL     | FLOOR |
| MIN.              | MAX.   |      |          |       |
| 12'-0"            | 16'-0" | 6"   | 6" OR 8" | 6"    |

**AC MILLER**  
CONCRETE PRODUCTS, INC.  
WWW.AC MILLER.COM

31 E. BRIDGE ST.  
SPRING CITY  
PA. 19475

PHONE:  
(610) 948-4600  
FAX:  
(610) 948-9750

RT. 22 WEST  
BLAIRSVILLE,  
PA. 15717

PHONE:  
(724) 459-5950  
FAX:  
(724) 459-9151

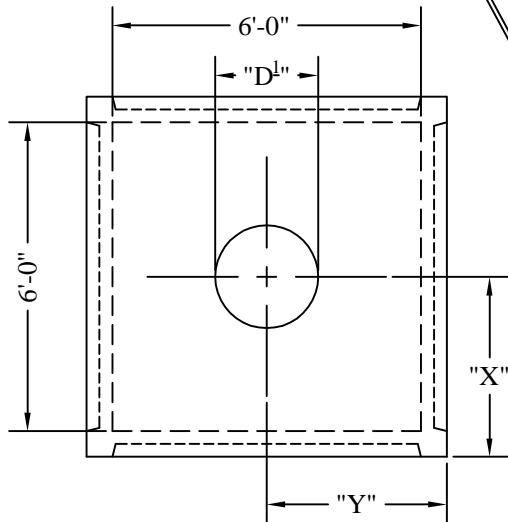
Precast Concrete Utility Vaults  
6'-0" X 6'-0" Manhole  
with Standard Knockout Panels

FILE NAME: 06x06 MANHOLE P1

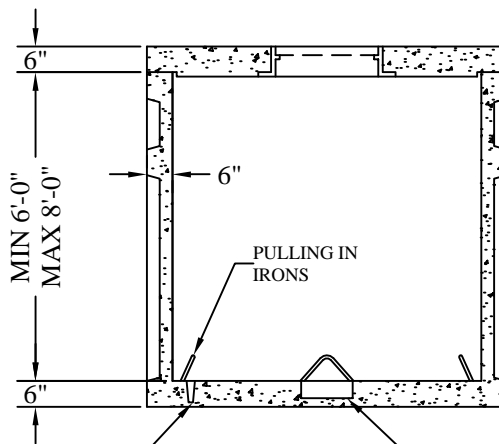
DATE: 8/20/03

DRAWN BY: BTH

**6'-0" X 6'-0"**  
STANDARD MANHOLE



PLAN VIEW



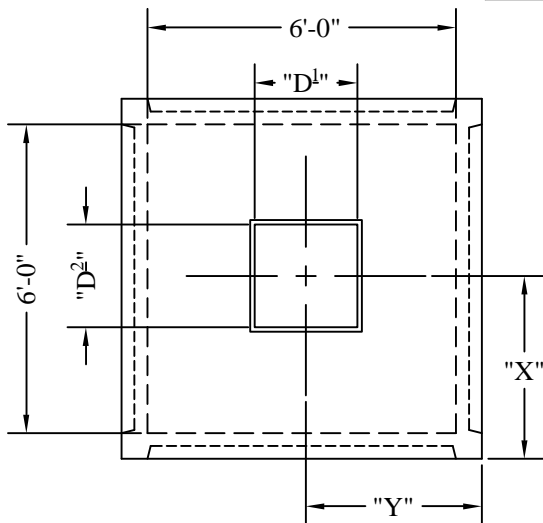
SECTION VIEW

STD' ACM GROUND ROD  
KNOCKOUT HOLE

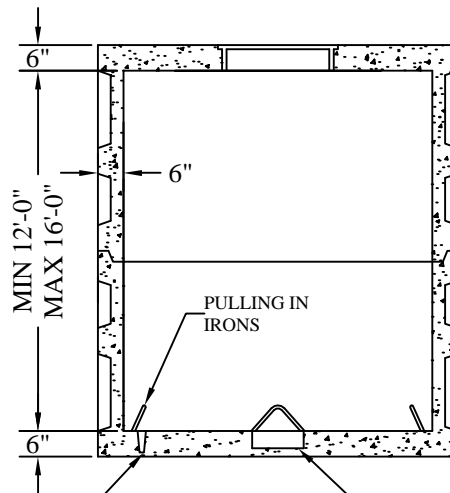
12" DIA. x 4" DEEP  
SUMP RECESS

**ONE-PIECE MANHOLE**

**TWO-PIECE MANHOLE**



PLAN VIEW



SECTION VIEW

STD' ACM GROUND ROD  
KNOCKOUT HOLE

12" DIA. x 4" DEEP  
SUMP RECESS

"X" = \_\_\_\_\_  
"Y" = \_\_\_\_\_  
"D<sup>1</sup>" = \_\_\_\_\_  
"D<sup>2</sup>" = \_\_\_\_\_

\* PLEASE NOTE:  
ACM USES INSIDE DIMENSIONS TO  
DESCRIBE VAULT SIZE.

\* FOR ANY ADDITIONAL  
INFORMATION PLEASE CONTACT  
A.C. MILLER SALES  
REPRESENTATIVE

JOB: \_\_\_\_\_  
CUSTOMER: \_\_\_\_\_  
DRAWING \_\_\_ OF \_\_\_

CIRCLE ALL THAT IS APPLICABLE

FRAME AND COVER, HATCH OR NONE

IF HATCH OR FRAME AND COVER:

CAST IN SLAB OR SEPERATE

LIVE LOAD: HS-20  
EARTH COVER: 0 to 2 ft.  
CONCRETE: 5000 psi AT 28 DAYS  
REBAR: GRADE 60, ASTM A615 SPEC'S  
PRECAST CONCRETE VAULT CONFORMS TO ASTM  
C890 AND C913 SPECIFICATIONS

**AC MILLER**  
CONCRETE PRODUCTS, INC.  
WWW.AC MILLER.COM  
**NPCA**  
CERTIFIED PLANT

31 E. BRIDGE ST.  
SPRING CITY  
PA. 19475  
PHONE: (610) 948-4600  
FAX: (610) 948-9750

RT.22 WEST  
BLAIRSVILLE,  
PA. 15717  
PHONE: (724) 459-5950  
FAX: (724) 459-9151

Precast Concrete Utility Vaults  
6'-0" X 6'-0" Manhole  
with Standard Knockout Panels

FILE NAME: 06x06 MANHOLE P2

DATE: 8/20/03

DRAWN BY: BTH