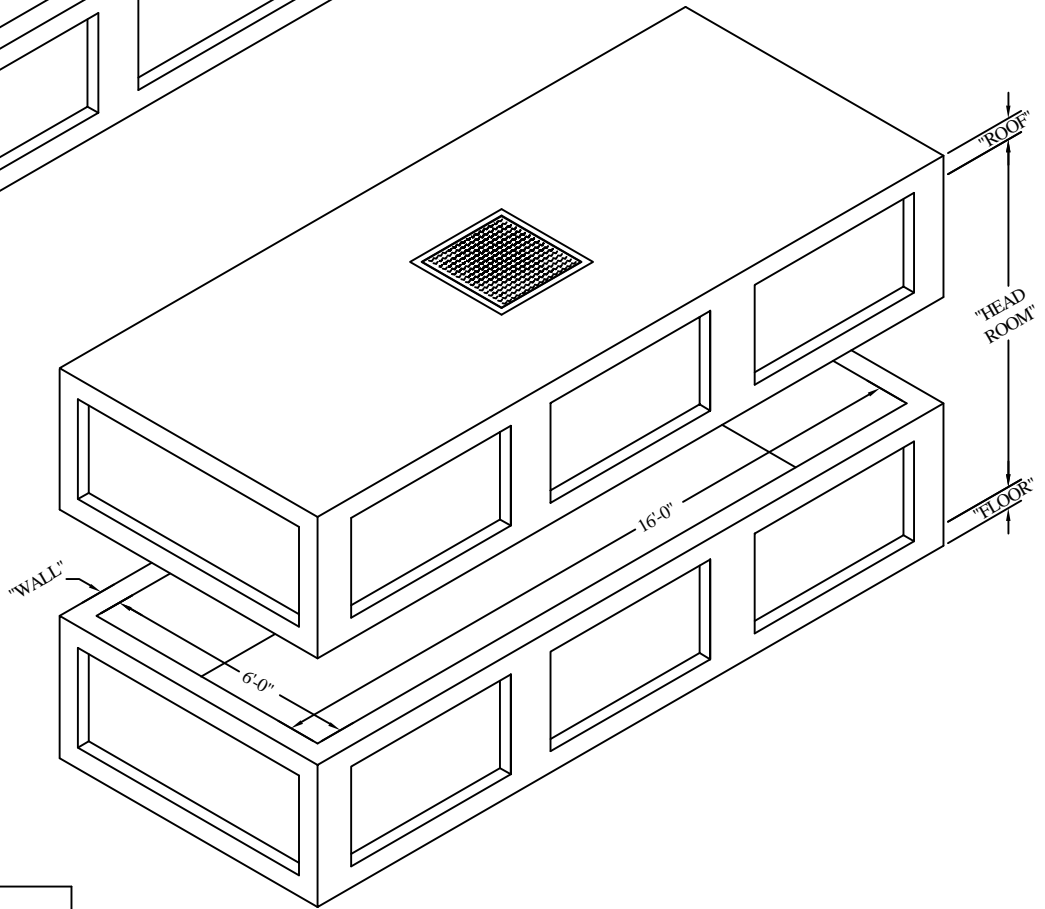
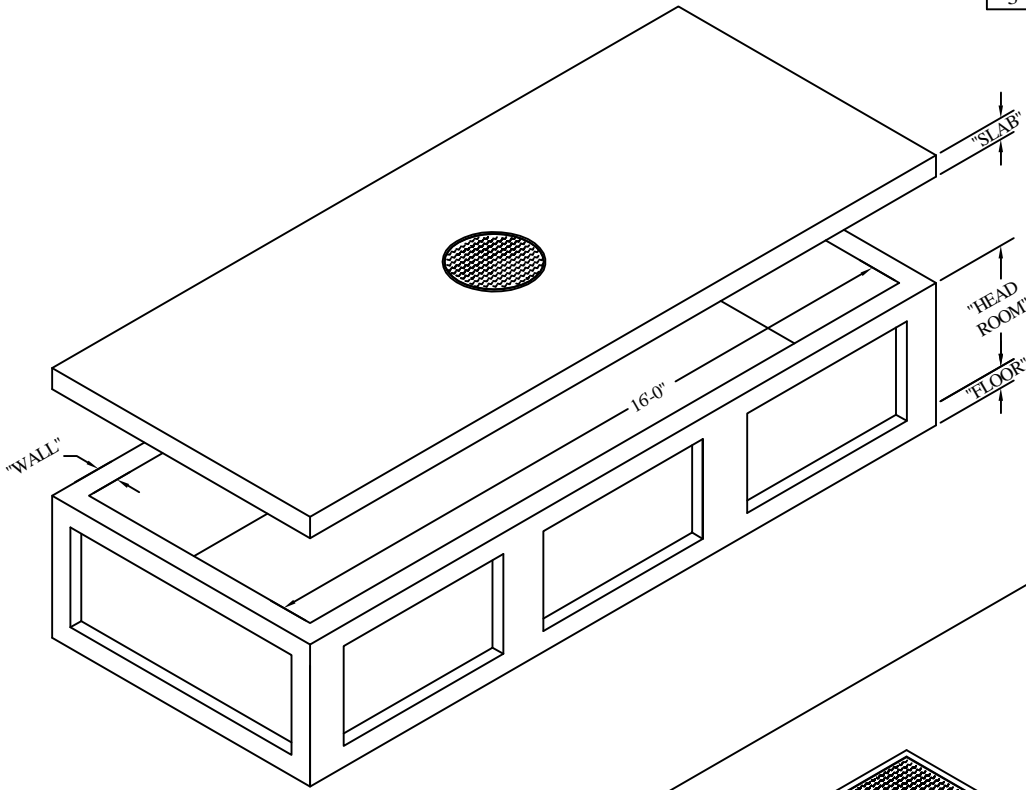


6'-0" X 16'-0"
STANDARD MANHOLE

One-Piece Manhole				
HEADROOM		SLAB	WALL	FLOOR
MIN.	MAX.			
3'-6"	7'-0"	6"	8" TO 12"	6"



Two-Piece Manhole				
HEADROOM		ROOF	WALL	FLOOR
MIN.	MAX.			
7'-0"	14'-0"	6"	8" TO 12"	6"

AC MILLER
CONCRETE PRODUCTS, INC.
WWW.AC MILLER.COM

31 E. BRIDGE ST.
SPRING CITY
PA. 19475

PHONE:
(610) 948-4600
FAX:
(610) 948-9750

RT.22 WEST
BLAIRSVILLE,
PA. 15717

PHONE:
(724) 459-5950
FAX:
(724) 459-9151

Precast Concrete Utility Vaults
6'-0" X 16'-0" Manhole
with Standard Knockout Panels

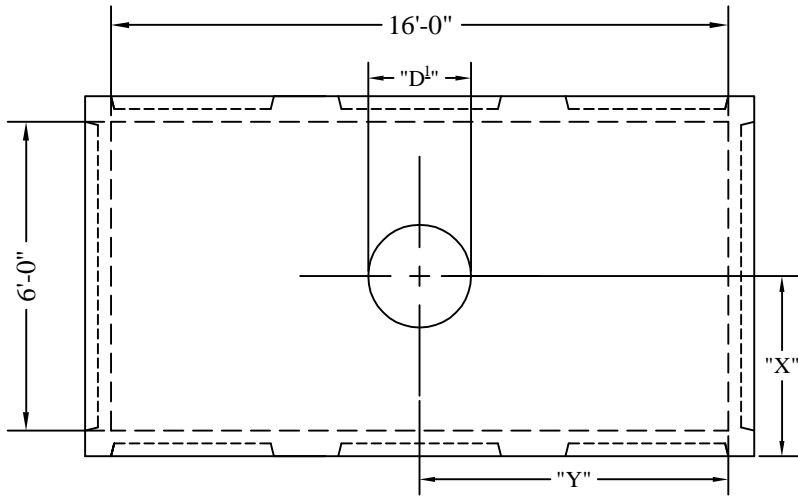
FILE NAME: 06x16 MANHOLE P1

DATE: 8/20/03

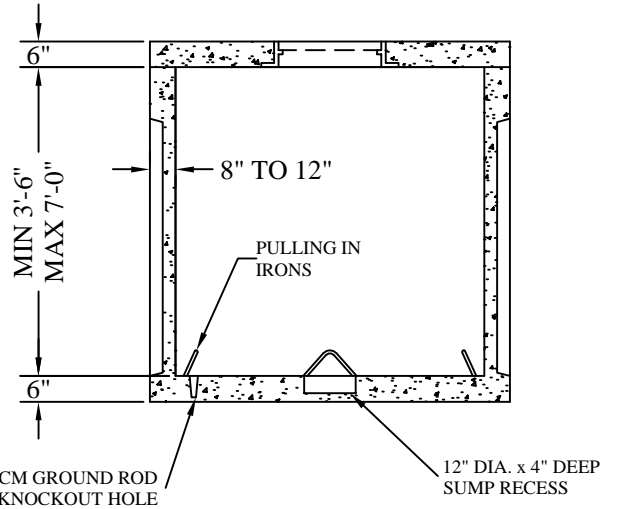
DRAWN BY: BTH

6'-0" X 16'-0"

STANDARD MANHOLE



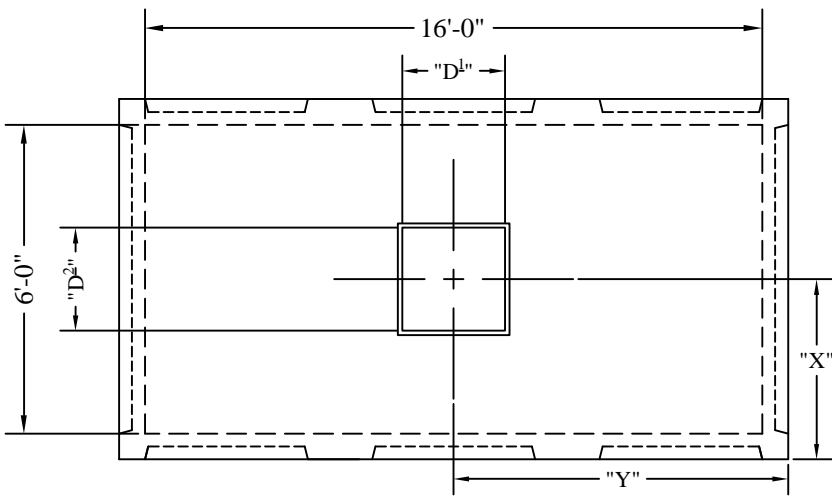
PLAN VIEW



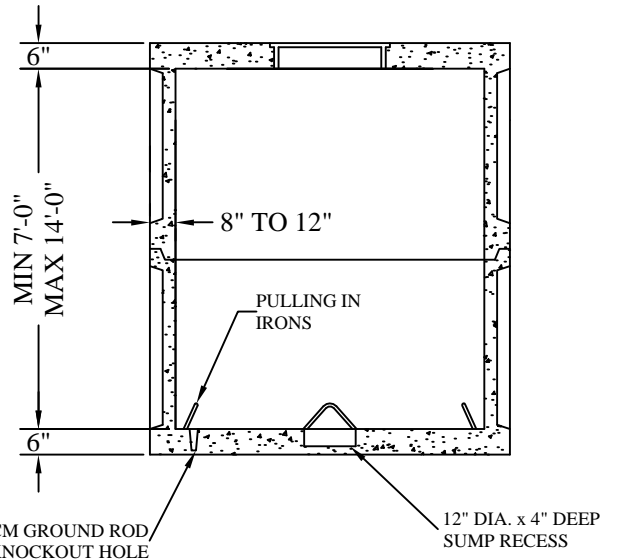
SECTION VIEW

ONE-PIECE MANHOLE

TWO-PIECE MANHOLE



PLAN VIEW



SECTION VIEW

"X" = _____
 "Y" = _____
 "D1" = _____
 "D2" = _____

CIRCLE ALL THAT IS APPLICABLE

FRAME AND COVER, HATCH OR NONE

IF HATCH OR FRAME AND COVER:

CAST IN SLAB OR SEPERATE

* PLEASE NOTE:
 ACM USES INSIDE DIMENSIONS TO
 DESCRIBE VAULT SIZE.

* FOR ANY ADDITIONAL
 INFORMATION PLEASE CONTACT
 A.C. MILLER SALES
 REPRESENTATIVE

JOB: _____
 CUSTOMER: _____
 DRAWING ___ OF ___

LIVE LOAD: HS-20
 EARTH COVER: 0 to 2 ft.
 CONCRETE: 5000 psi AT 28 DAYS
 REBAR: GRADE 60, ASTM A615 SPEC'S
 PRECAST CONCRETE VAULT CONFORMS TO ASTM
 C890 AND C913 SPECIFICATIONS



31 E. BRIDGE ST.
 SPRING CITY
 PA. 19475

PHONE:
 (610) 948-4600
 FAX:
 (610) 948-9750

RT.22 WEST
 BLAIRSVILLE,
 PA. 15717

PHONE:
 (724) 459-5950
 FAX:
 (724) 459-9151

Precast Concrete Utility Vaults
 6'-0" X 16'-0" Manhole
 with Standard Knockout Panels

FILE NAME: 06x16 MANHOLE P2

DATE: 8/20/03

DRAWN BY: BTH