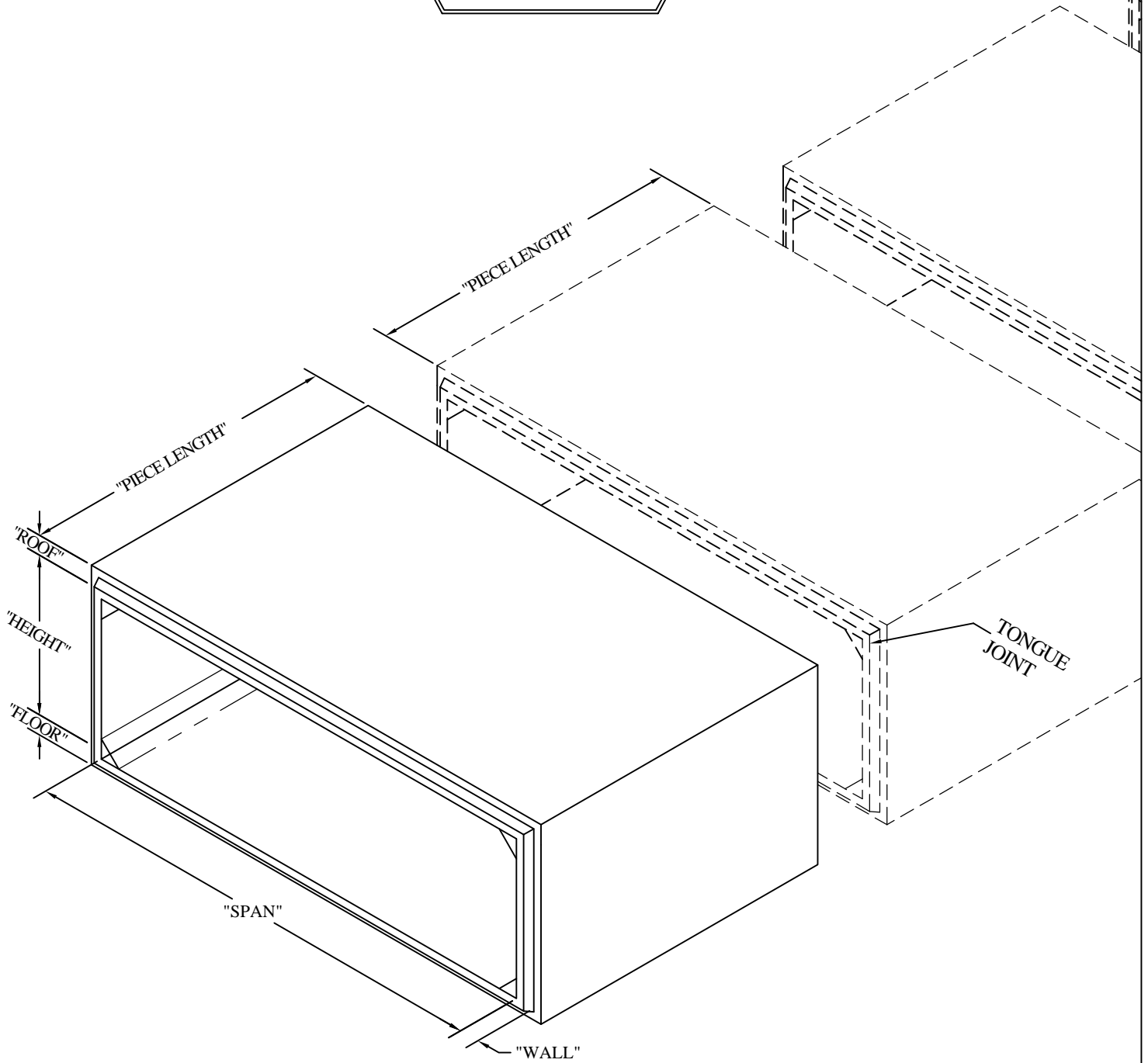


CULVERT



PRECAST CONCRETE TRENCH CULVERT

SPAN	HEIGHT	TOTAL LENGTH	WALL	ROOF	FLOOR	PIECE LENGTH	SKEW OR BENDS	POST TENS. REQ'D	LIVE LOADING	EARTH COVER
							Y N	Y N		


CONCRETE PRODUCTS, INC.
 WWW.AC MILLER.COM


31 E. BRIDGE ST.
 SPRING CITY
 PA. 19475

PHONE:
 (610) 948-4600
 FAX:
 (610) 948-9750

RT.22 WEST
 BLAIRSVILLE,
 PA. 15717

PHONE:
 (724) 459-5950
 FAX:
 (724) 459-9151

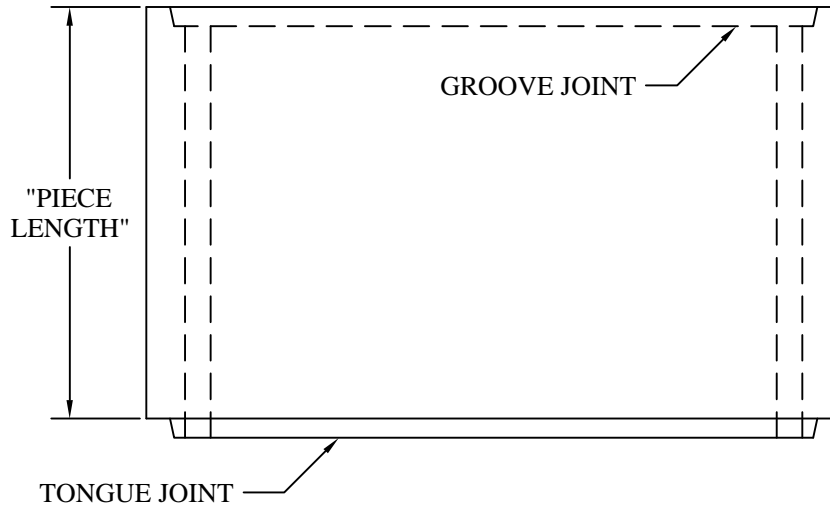
Precast Concrete Box Culvert

FILE NAME: CULVERT BOX P1

DATE: 8/20/03

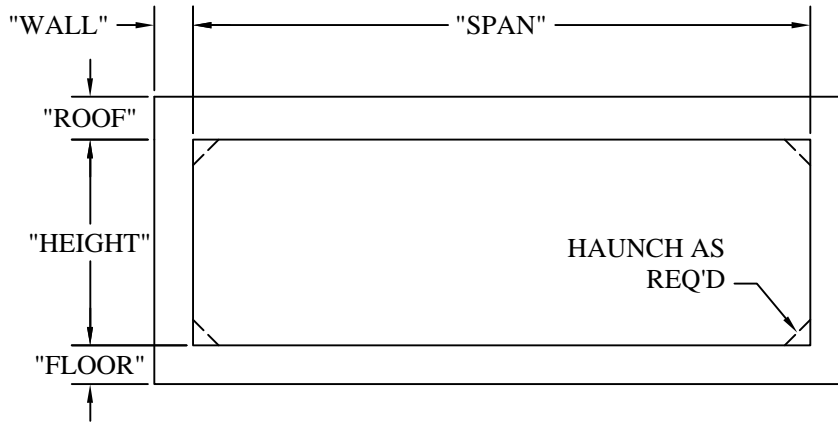
DRAWN BY: BTH

CULVERT



PLAN VIEW

SECTION VIEW



* PLEASE NOTE:
ACM USES INSIDE DIMENSIONS TO
DESCRIBE TRENCH SIZE.

* FOR ANY ADDITIONAL
INFORMATION PLEASE CONTACT
A.C. MILLER SALES
REPRESENTATIVE

JOB: _____
CUSTOMER: _____
DRAWING ___ OF ___

LIVE LOAD: HS-20
EARTH COVER: 0 to 2 ft.
CONCRETE: 5000 psi AT 28 DAYS
REBAR: GRADE 60, ASTM A615 SPEC'S
PRECAST CONCRETE VAULT CONFORMS TO ASTM
C890 AND C913 SPECIFICATIONS

AC MILLER
CONCRETE PRODUCTS, INC.
WWW.AC MILLER.COM

31 E. BRIDGE ST.
SPRING CITY
PA. 19475

PHONE:
(610) 948-4600
FAX:
(610) 948-9750

RT.22 WEST
BLAIRSVILLE,
PA. 15717

PHONE:
(724) 459-5950
FAX:
(724) 459-9151

Precast Concrete Box Culvert

FILE NAME: CULVERT BOX P2

DATE: 8/20/03

DRAWN BY: BTH