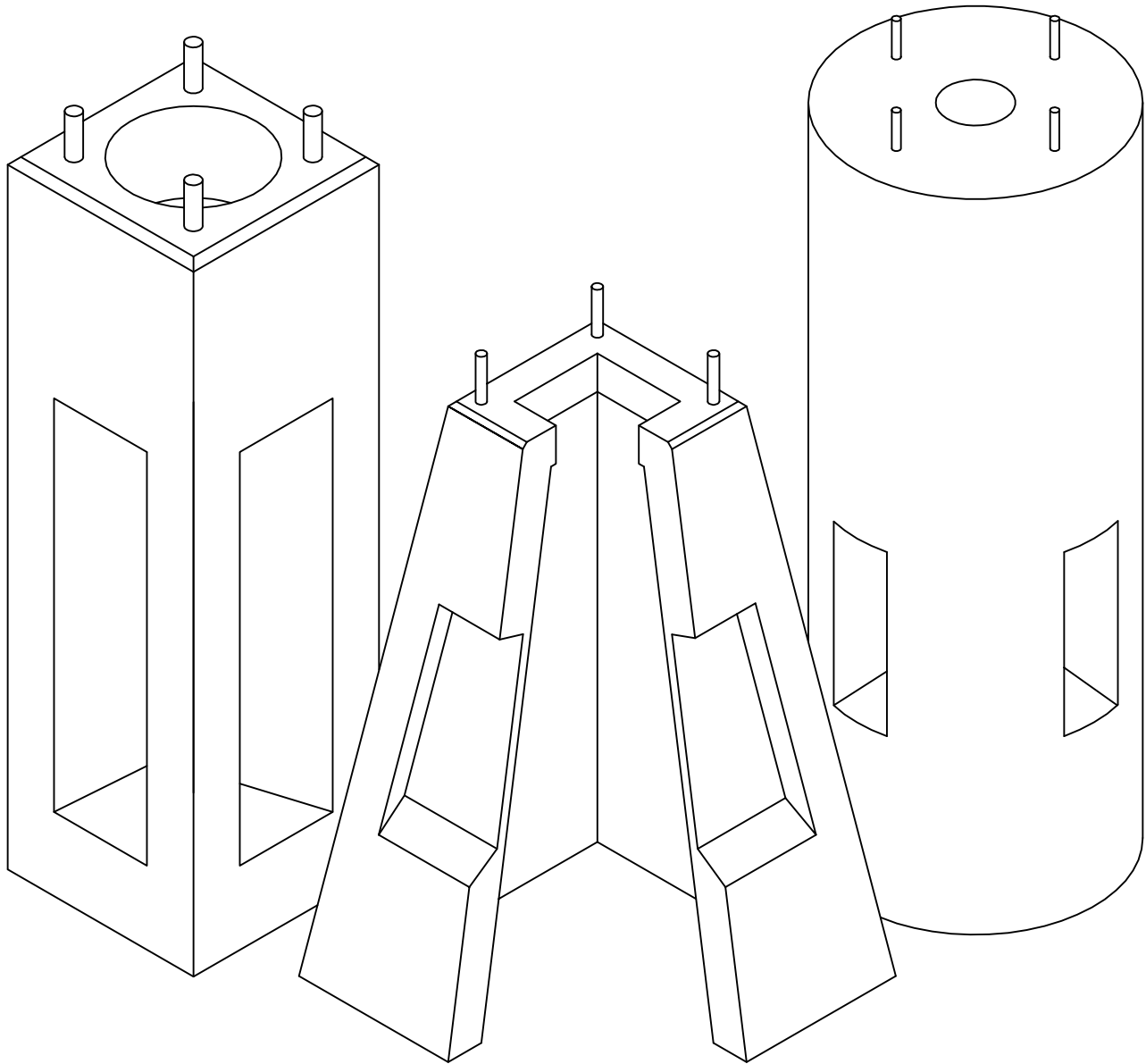


LIGHT POLE



**CUSTOMER SUPPLIED BOLT & CONDUIT
LOCATION & SIZE PER SPECIFICATIONS**

AC MILLER
CONCRETE PRODUCTS, INC.
 WWW.AC MILLER.COM
NPCA
 CERTIFIED PLANT

31 E. BRIDGE ST.
 SPRING CITY
 PA. 19475

PHONE:
 (610) 948-4600
 FAX:
 (610) 948-9750

RT.22 WEST
 BLAIRSVILLE,
 PA. 15717

PHONE:
 (724) 459-5950
 FAX:
 (724) 459-9151

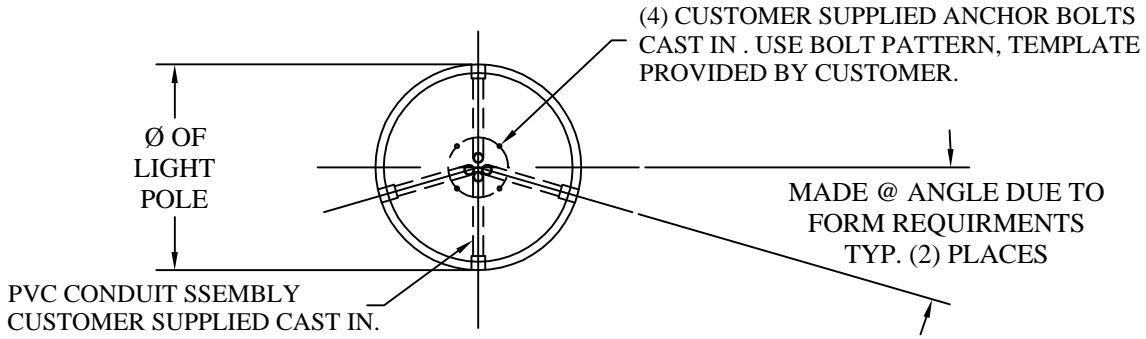
Precast Concrete Light Pole Base
 Call for Sizes Available
 with Standard Knockout Panels

FILE NAME: LIGHT POLE P1

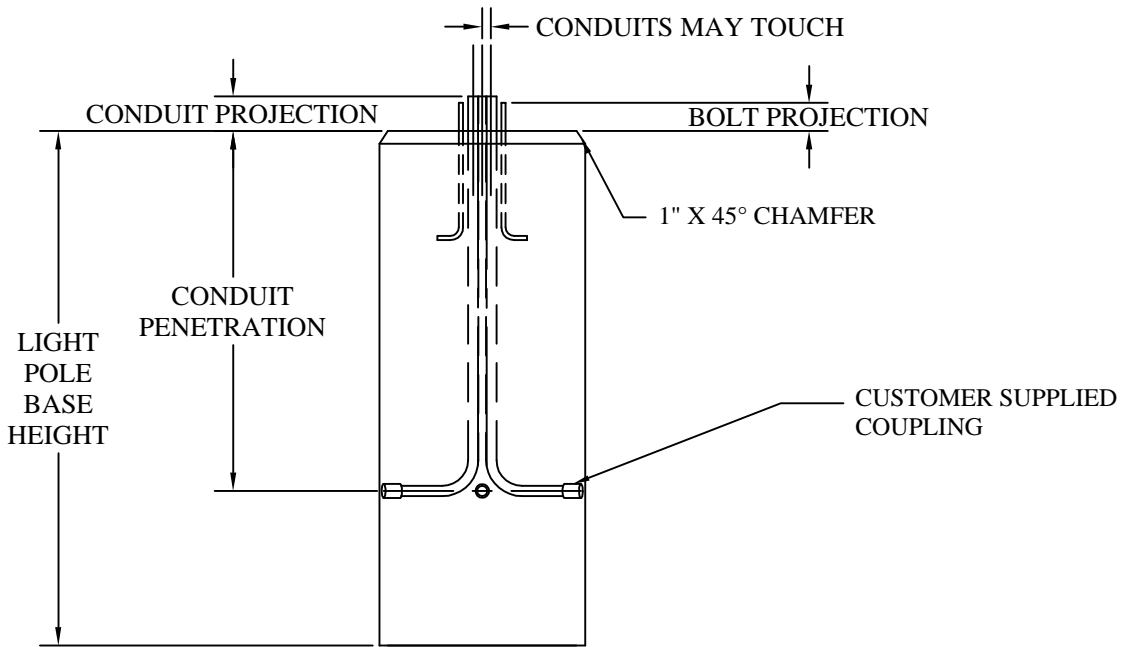
DATE: 8/20/03

DRAWN BY: BTH

LIGHT POLE



TOP VIEW



Ø OF LIGHT POLE =	_____
LIGHT POLE BASE HEIGHT =	_____
BOLT CIRCLE =	_____
BOLT DIA. & LENGTH =	_____
BOLT PROJECTION =	_____
CONDUIT PROJECTION =	_____
CONDUIT PENETRATION =	_____

AC MILLER
CONCRETE PRODUCTS, INC.
 WWW.AC MILLER.COM

NPCA
 CERTIFIED PLANT

31 E. BRIDGE ST.
 SPRING CITY
 PA. 19475

PHONE:
 (610) 948-4600
 FAX:
 (610) 948-9750

RT.22 WEST
 BLAIRSVILLE,
 PA. 15717

PHONE:
 (724) 459-5950
 FAX:
 (724) 459-9151

Precast Concrete Light Pole Base
 Call for Sizes Available

FILE NAME: LIGHT POLE P2

DATE: 8/20/03

DRAWN BY: BTH