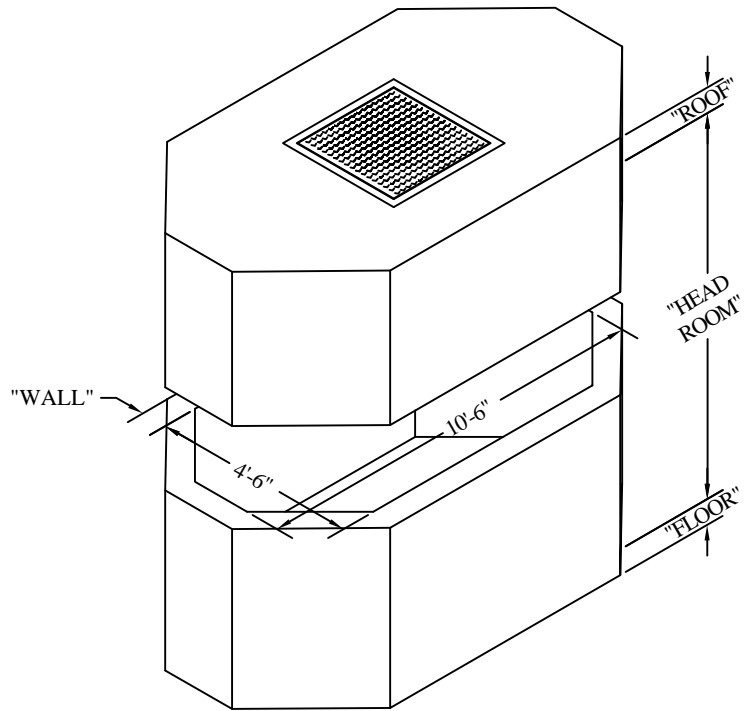
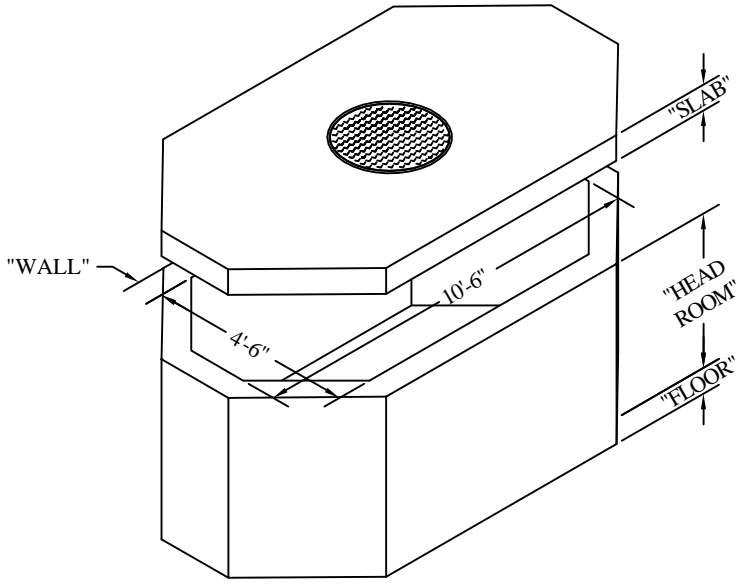


**4'-6" X 10'-6"**  
OCTAGONAL MANHOLE

One-Piece Manhole				
HEADROOM		SLAB	WALL	FLOOR
MIN.	MAX.			
3'-6"	5'-0"	6"	6"	6"



Two-Piece Manhole				
HEADROOM		ROOF	WALL	FLOOR
MIN.	MAX.			
7'-0"	10'-0"	6"	6"	6"

**AC MILLER**  
CONCRETE PRODUCTS, INC.  
WWW.ACMILLER.COM

31 E. BRIDGE ST.  
SPRING CITY  
PA. 19475

PHONE:  
(610) 948-4600  
FAX:  
(610) 948-9750

RT.22 WEST  
BLAIRSVILLE,  
PA. 15717

PHONE:  
(724) 459-5950  
FAX:  
(724) 459-9151

Precast Concrete Utility Vaults  
4'-6" X 10'-6" Octagonal Manhole  
with Solid Walls

FILE NAME: OCT 04-06X15-6 MANHOLE P1

DATE: 8/20/03

DRAWN BY: BTH

