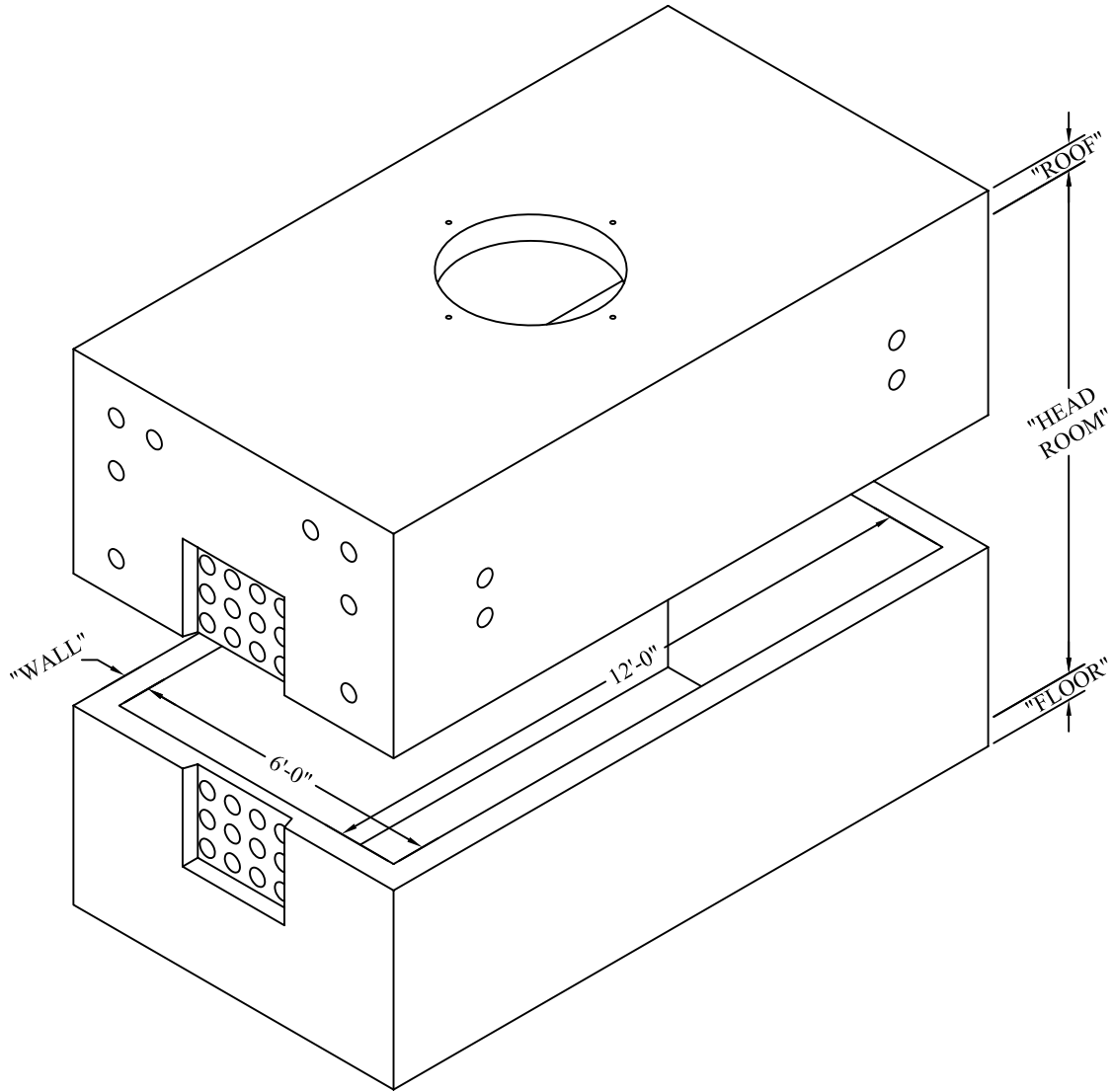


6'-0" X 12'-0"

38Y MANHOLE



Two-Piece Manhole				
HEADROOM		ROOF	WALL	FLOOR
TOP	BASE			
3'-9"	3'-3"	6"	5 1/2"	6"

AC MILLER
CONCRETE PRODUCTS, INC.
 WWW.AC MILLER.COM



31 E. BRIDGE ST. PHONE:
 P.O. BOX 199 (610) 948-4600
 SPRING CITY FAX:
 PA. 19475 (610) 948-9750

9558 ROUTE 22 PHONE:
 P.O. BOX 93 (724) 459-5950
 BLAIRSVILLE, FAX:
 PA. 15717 (724) 459-9151

Precast Concrete Utility Vaults
 6'-0" X 12'-0"
 38Y Straight Thru Manhole

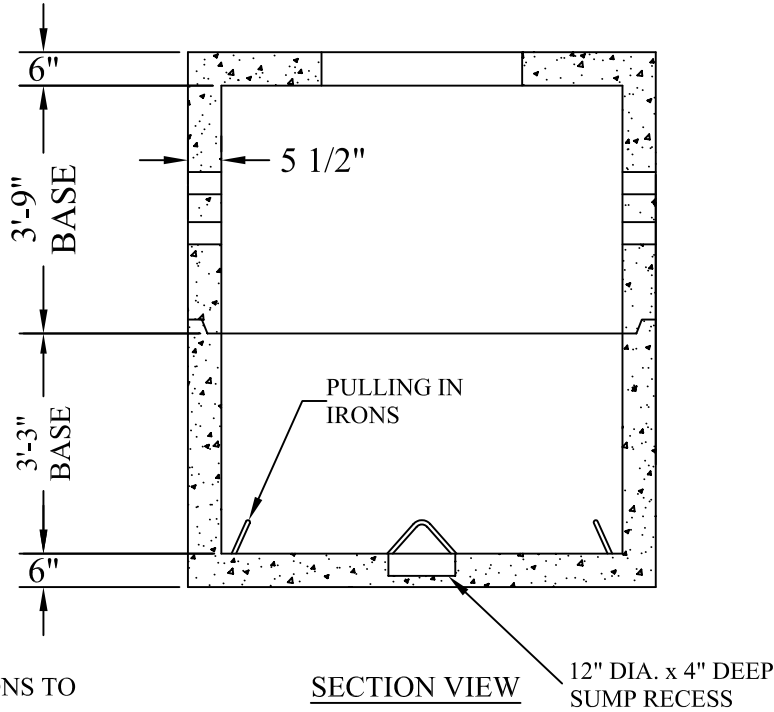
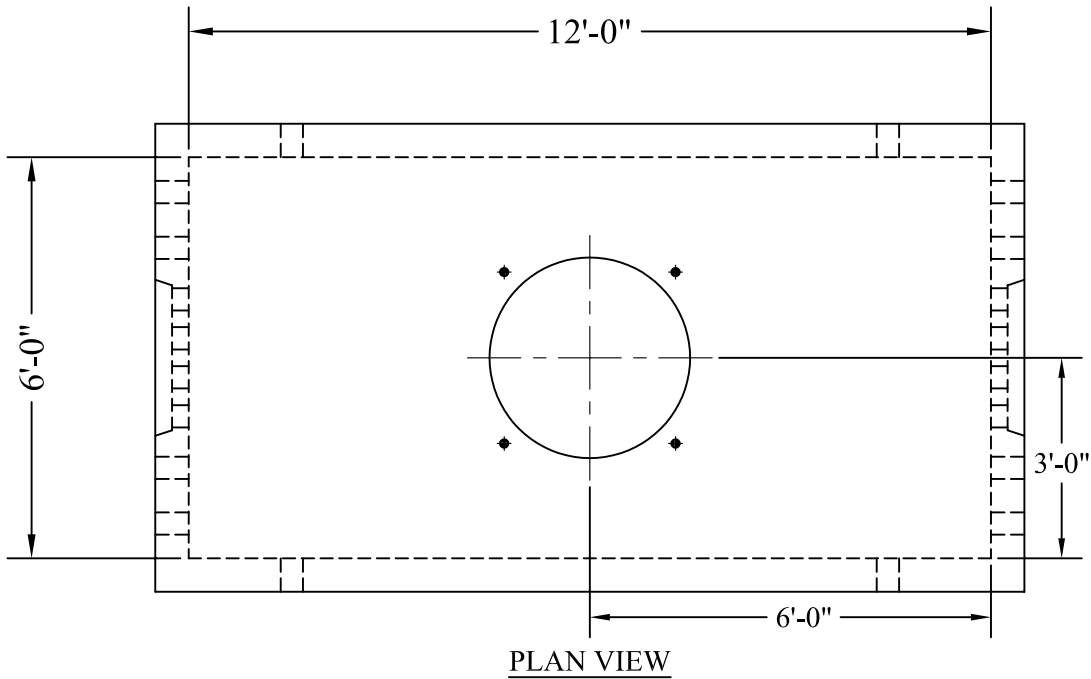
FILE NAME: 06x12 38Y P1

DATE: 9/5/05

DRAWN BY: BTH

This manhole come equipped with
1 or 2 access holes per job requirements.

6'-0" X 12'-0"
38Y MANHOLE



* PLEASE NOTE:
ACM USES INSIDE DIMENSIONS TO
DESCRIBE VAULT SIZE.

* FOR ANY ADDITIONAL
INFORMATION PLEASE CONTACT
A.C. MILLER SALES
REPRESENTATIVE

JOB: _____
CUSTOMER: _____
DRAWING ___ OF ___

LIVE LOAD: HS-20
EARTH COVER: 0 to 2 ft.
CONCRETE: 5000 psi AT 28 DAYS
REBAR: GRADE 60, ASTM A615 SPEC'S
PRECAST CONCRETE VAULT CONFORMS TO ASTM
C890 AND C913 SPECIFICATIONS

CONCRETE PRODUCTS, INC.
WWW.AC MILLER.COM

31 E. BRIDGE ST. PHONE:
P.O. BOX 199 (610) 948-4600
SPRING CITY FAX:
PA. 19475 (610) 948-9750

9558 ROUTE 22 PHONE:
P.O. BOX 93 (724) 459-5950
BLAIRSVILLE, FAX:
PA. 15717 (724) 459-9151

Precast Concrete Utility Vaults
6'-0" X 12'-0"
38Y Straight Thru Manhole

FILE NAME: 06x12 38Y P2

DATE: 9/5/05

DRAWN BY: BTH