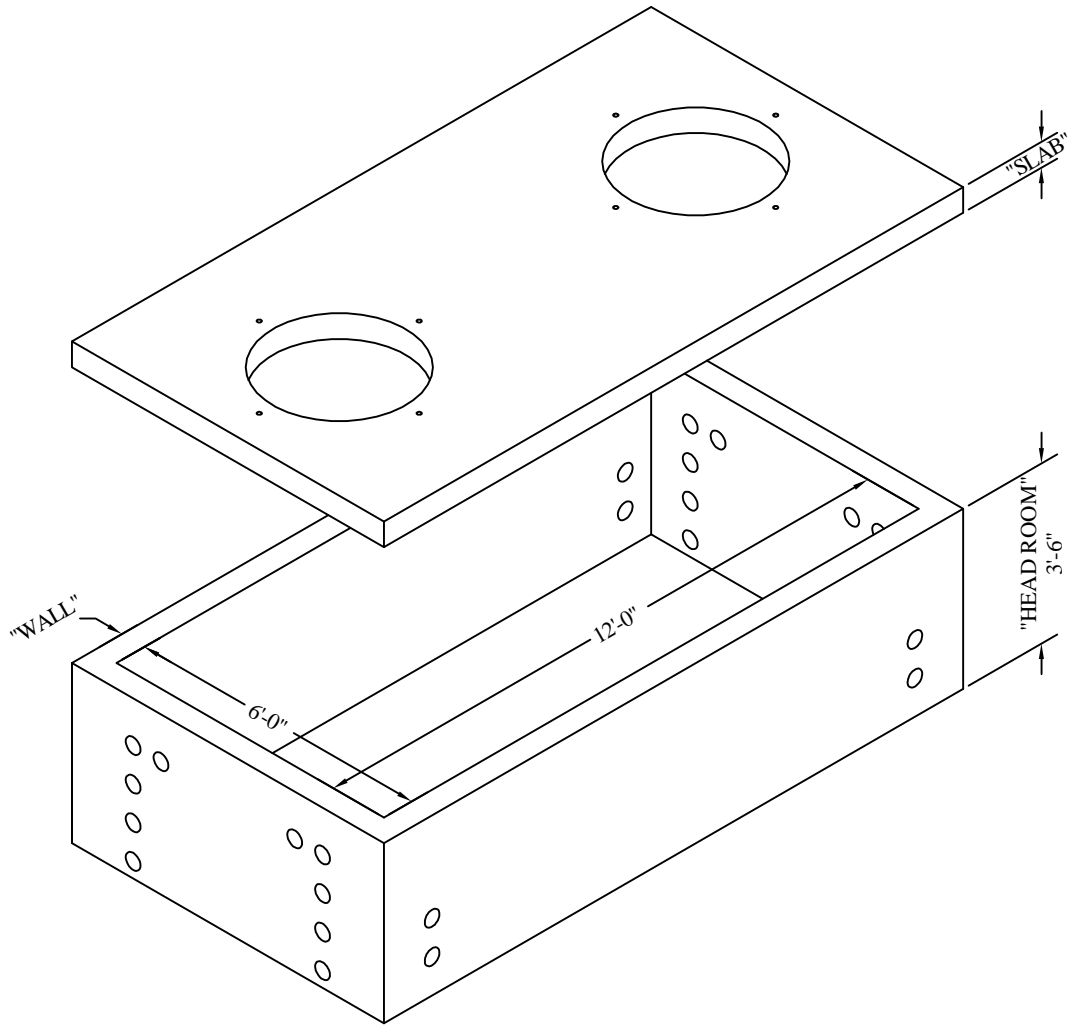


6'-0" X 12'-0"  
CAISSON MANHOLE



Caisson Manhole			
HEADROOM	SLAB	WALL	
TOP			
3'-6"	6"	6"	

**AC MILLER**  
**CONCRETE PRODUCTS, INC.**  
 WWW.AC MILLER.COM



31 E. BRIDGE ST.  
 SPRING CITY  
 PA. 19475

PHONE:  
 (610) 948-4600  
 FAX:  
 (610) 948-9750

RT. 22 WEST  
 BLAIRSVILLE,  
 PA. 15717

PHONE:  
 (724) 459-5950  
 FAX:  
 (724) 459-9151

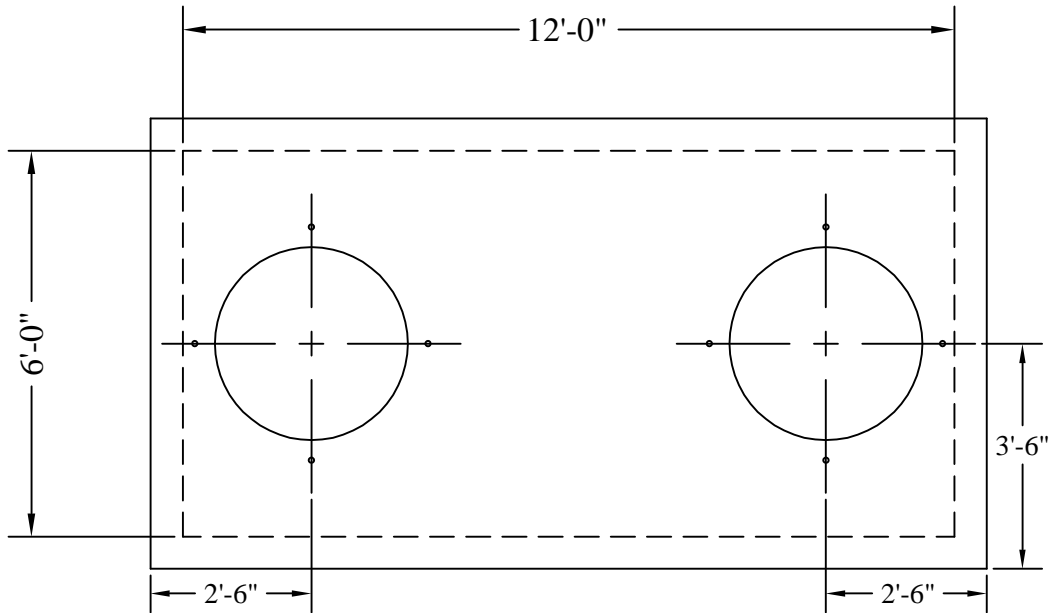
Precast Concrete Utility Vaults  
 6'-0" X 12'-0" Caisson Manhole

FILE NAME: 06x12 CAISSON P1

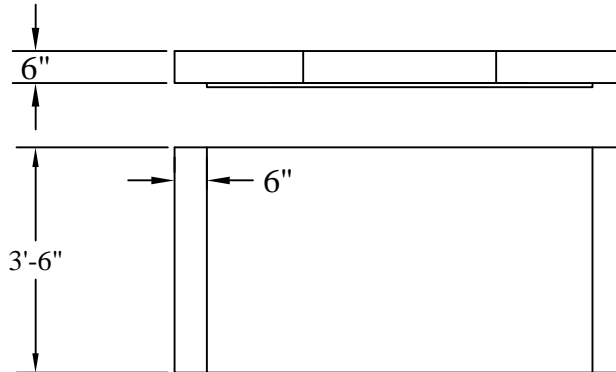
DATE: 8/20/03

DRAWN BY: BTH

**6'-0" X 12'-0"**  
CAISSON MANHOLE



PLAN VIEW



SECTION VIEW

\* PLEASE NOTE:  
ACM USES INSIDE DIMENSIONS TO  
DESCRIBE VAULT SIZE.

\* FOR ANY ADDITIONAL  
INFORMATION PLEASE CONTACT  
A.C. MILLER SALES  
REPRESENTATIVE

JOB: \_\_\_\_\_  
CUSTOMER: \_\_\_\_\_  
DRAWING \_\_\_ OF \_\_\_

LIVE LOAD: HS-20  
EARTH COVER: 0 to 2 ft.  
CONCRETE: 5000 psi AT 28 DAYS  
REBAR: GRADE 60, ASTM A615 SPEC'S  
PRECAST CONCRETE VAULT CONFORMS TO ASTM  
C890 AND C913 SPECIFICATIONS

**AC MILLER**  
CONCRETE PRODUCTS, INC.  
WWW.AC MILLER.COM

31 E. BRIDGE ST.    PHONE:  
SPRING CITY        (610) 948-4600  
PA. 19475            FAX:  
                              (610) 948-9750

RT.22 WEST        PHONE:  
BLAIRSVILLE,      (724) 459-5950  
PA. 15717            FAX:  
                              (724) 459-9151

Precast Concrete Utility Vaults  
6'-0" X 12'-0" Caisson Manhole

FILE NAME: 06x12 CAISSON P2

DATE: 8/20/03

DRAWN BY: BTH