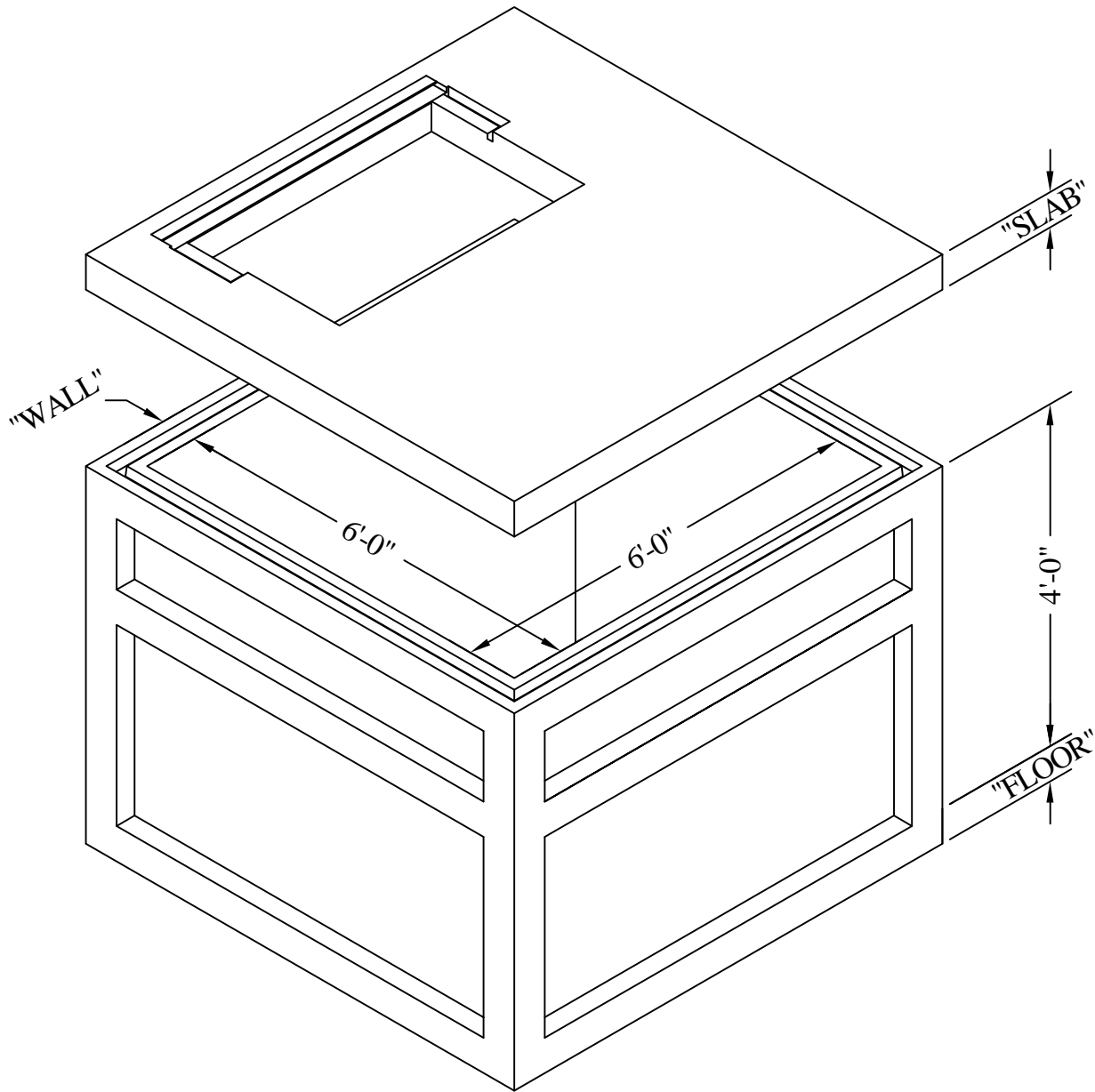


**6'-0" X 6'-0"**  
KVA MANHOLE

| KVA Manhole |       |      |      |       |
|-------------|-------|------|------|-------|
| HEADROOM    |       | SLAB | WALL | FLOOR |
| MIN.        | MAX.  |      |      |       |
| 4'-0"       | 4'-0" | 6"   | 6"   | 6"    |



**AC MILLER**  
CONCRETE PRODUCTS, INC.  
WWW.AC MILLER.COM

31 E. BRIDGE ST.  
SPRING CITY  
PA. 19475

PHONE:  
(610) 948-4600  
FAX:  
(610) 948-9750

RT.22 WEST  
BLAIRSVILLE,  
PA. 15717

PHONE:  
(724) 459-5950  
FAX:  
(724) 459-9151

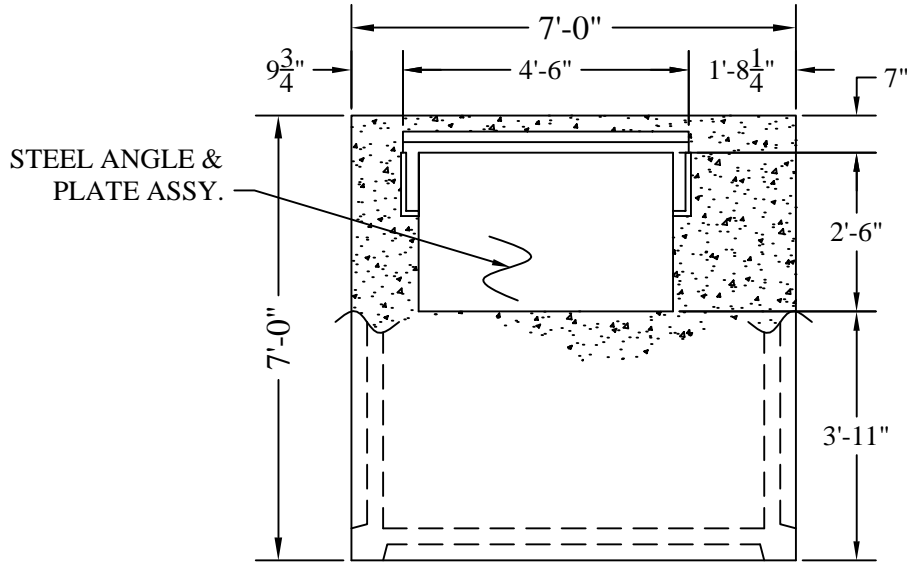
Precast Concrete Utility Vaults  
6'-0" X 6'-0" KVA Manhole  
with Standard Knockout Panels

FILE NAME: 06x06 KVA P1

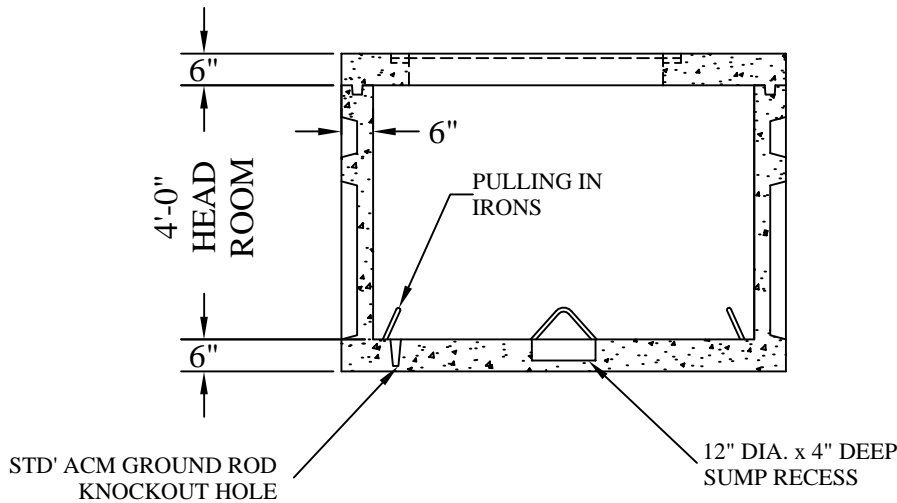
DATE: 8/20/03

DRAWN BY: BTH

**6'-0" X 6'-0"**  
KVA MANHOLE



PLAN VIEW



SECTION VIEW

\* PLEASE NOTE:  
ACM USES INSIDE DIMENSIONS TO  
DESCRIBE VAULT SIZE.

\* FOR ANY ADDITIONAL  
INFORMATION PLEASE CONTACT  
A.C. MILLER SALES  
REPRESENTATIVE

JOB: \_\_\_\_\_  
CUSTOMER: \_\_\_\_\_  
DRAWING \_\_\_ OF \_\_\_

LIVE LOAD: HS-20  
EARTH COVER: 0 to 2 ft.  
CONCRETE: 5000 psi AT 28 DAYS  
REBAR: GRADE 60, ASTM A615 SPEC'S  
PRECAST CONCRETE VAULT CONFORMS TO ASTM  
C890 AND C913 SPECIFICATIONS

**ACMILLER**  
CONCRETE PRODUCTS, INC.  
WWW.AC MILLER.COM  
**NPCA**  
CERTIFIED PLANT

31 E. BRIDGE ST.  
SPRING CITY  
PA. 19475  
PHONE: (610) 948-4600  
FAX: (610) 948-9750  
RT.22 WEST  
BLAIRSVILLE,  
PA. 15717  
PHONE: (724) 459-5950  
FAX: (724) 459-9151

Precast Concrete Utility Vaults  
6'-0" X 6'-0" KVA Manhole  
with Standard Knockout Panels

FILE NAME: 06x06 KVA P2

DATE: 8/20/03

DRAWN BY: BTH