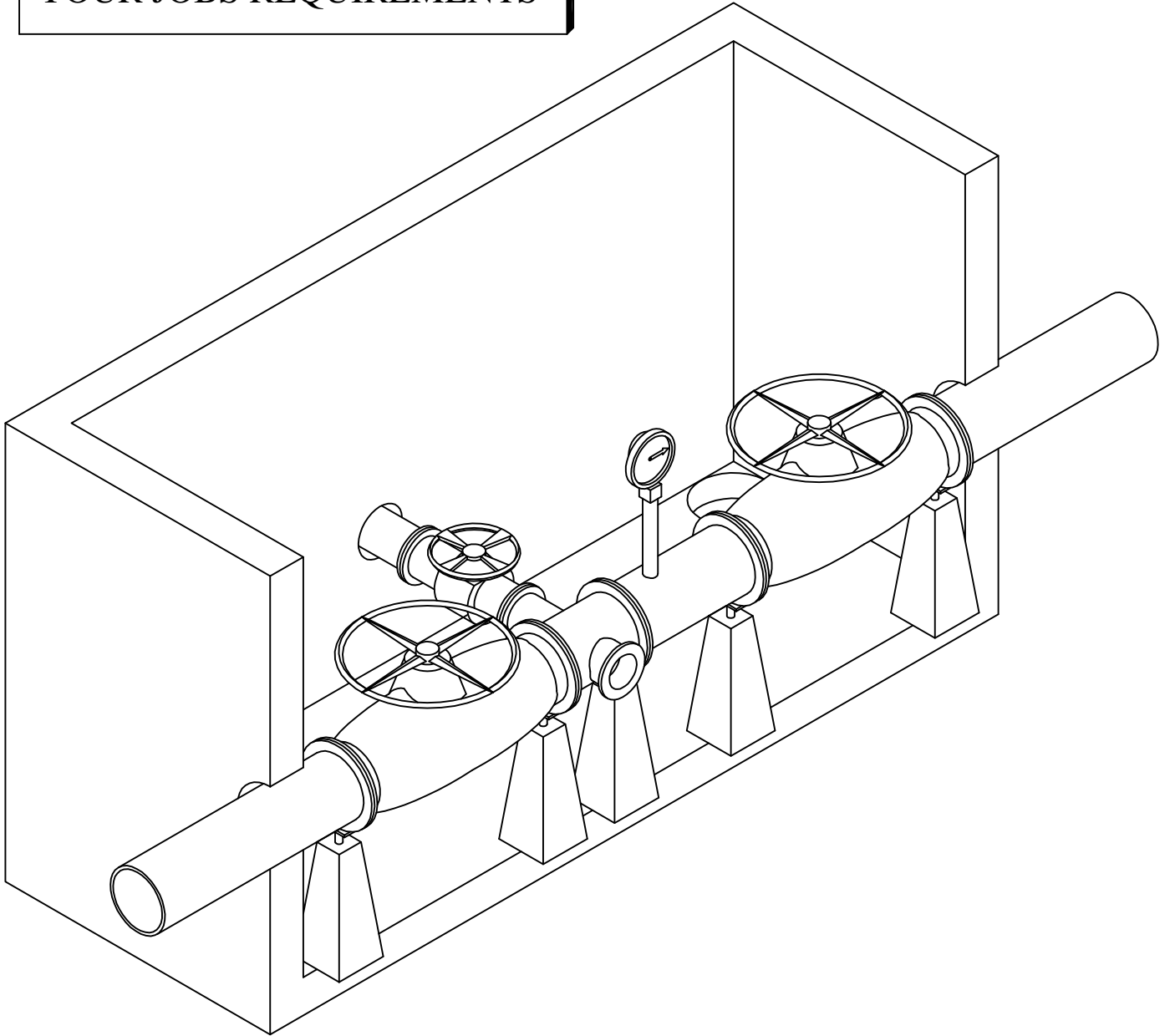


**PRE-PIPED**  
MANHOLE

**PIT TO BE PRE-PIPED TO  
YOUR JOBS REQUIREMENTS**



**AC MILLER**  
CONCRETE PRODUCTS, INC.  
WWW.ACMILLER.COM



31 E. BRIDGE ST.  
SPRING CITY  
PA. 19475

PHONE:  
(610) 948-4600  
FAX:  
(610) 948-9750

RT.22 WEST  
BLAIRSVILLE,  
PA. 15717

PHONE:  
(724) 459-5950  
FAX:  
(724) 459-9151

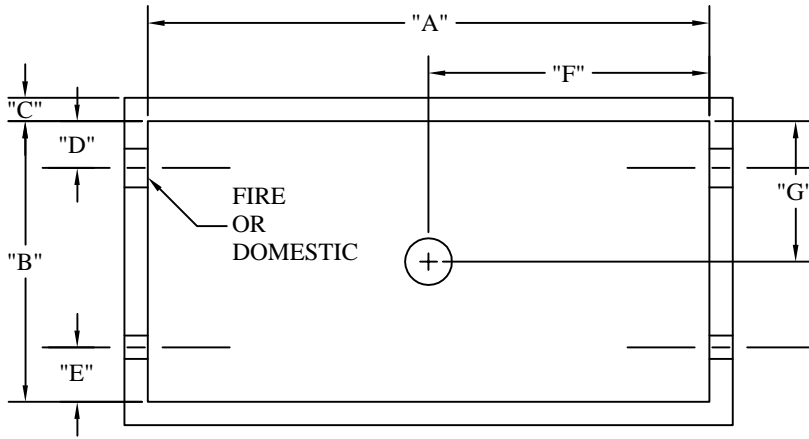
Precast Concrete Utility Vaults  
Pre - Piped Manhole

FILE NAME: PREPIPED PIT P1

DATE: 8/20/03

DRAWN BY: BTH

# PRE-PIPED MANHOLE



DIM "A" _____
DIM "B" _____
DIM "C" _____
DIM "D" _____
DIM "E" _____
DIM "F" _____
DIM "G" _____

FIRE LINE SIZE _____ "Ø"		
_____ HIGH PRESSURE	_____ LOW PRESSURE	
DOMESTIC LINE SIZE _____ "Ø"		
_____ HIGH PRESSURE	_____ LOW PRESSURE	
INTERNAL BYPASS    Y   /   N	SIZE _____ "Ø"	
EXTERNAL BYPASS   Y   /   N	SIZE _____ "Ø"	
FIRE DEPARTMENT CONNECTION TYPE _____		
FIRE DEPARTMENT CONNECTION SIZE _____ "Ø"		
BACK FLOW PREVENTOR    Y   /   N		
_____ WITHOUT METER		
_____ WITH METER		
METER SIZE _____ "Ø"		
METER LENGTH _____		
WATER AUTHORITY _____		
_____		

OMNI SLEEVES _____	MEGALUGS _____
PLASTIC SLEEVE _____	METAL SLEEVE _____
HOLES FOR RESTRAINTS _____	



31 E. BRIDGE ST.    PHONE: (610) 948-4600  
 SPRING CITY        FAX: (610) 948-9750  
 PA. 19475

RT. 22 WEST        PHONE: (724) 459-5950  
 BLAIRSVILLE,      FAX: (724) 459-9151  
 PA. 15717

Precast Concrete Utility Vaults  
 Pre - Piped Manhole