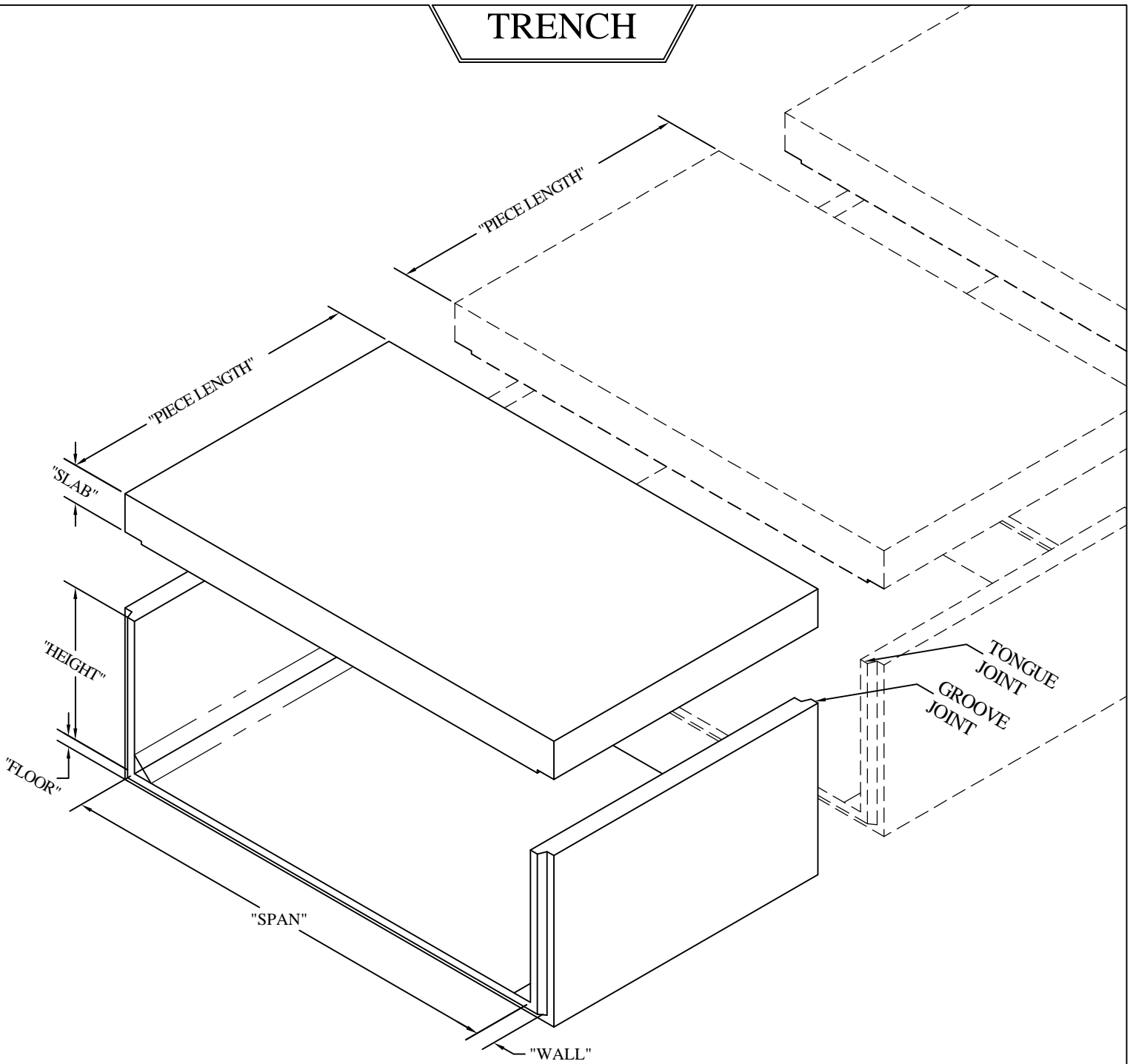


# TRENCH



## PRECAST CONCRETE TRENCH CULVERT

SPAN	HEIGHT	TOTAL LENGTH	WALL	ROOF	FLOOR	PIECE LENGTH	SKEW OR BENDS	POST TENS. REQ'D	LIVE LOADING	EARTH COVER
							Y N	Y N		

**AC MILLER**  
**CONCRETE PRODUCTS, INC.**  
 WWW.AC MILLER.COM



31 E. BRIDGE ST.  
 SPRING CITY  
 PA. 19475

PHONE:  
 (610) 948-4600  
 FAX:  
 (610) 948-9750

RT. 22 WEST  
 BLAIRSVILLE,  
 PA. 15717

PHONE:  
 (724) 459-5950  
 FAX:  
 (724) 459-9151

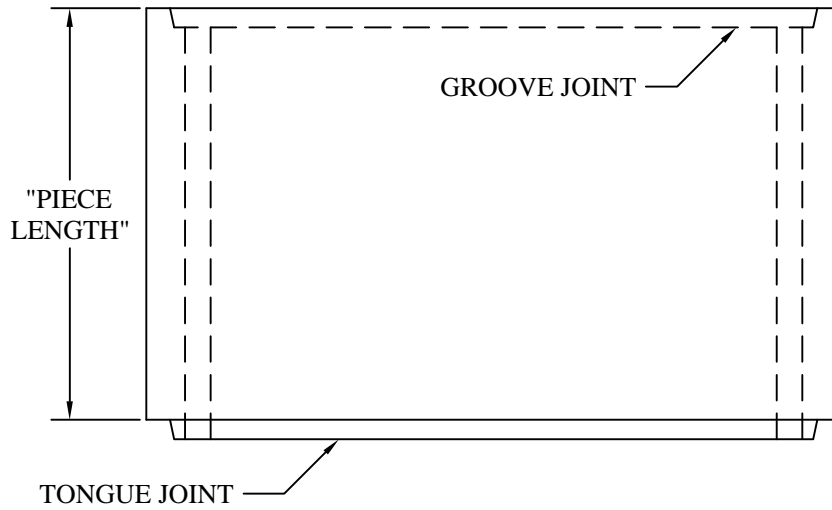
Precast Concrete Trench Culvert

FILE NAME: CULVERT TRENCH P1

DATE: 8/20/03

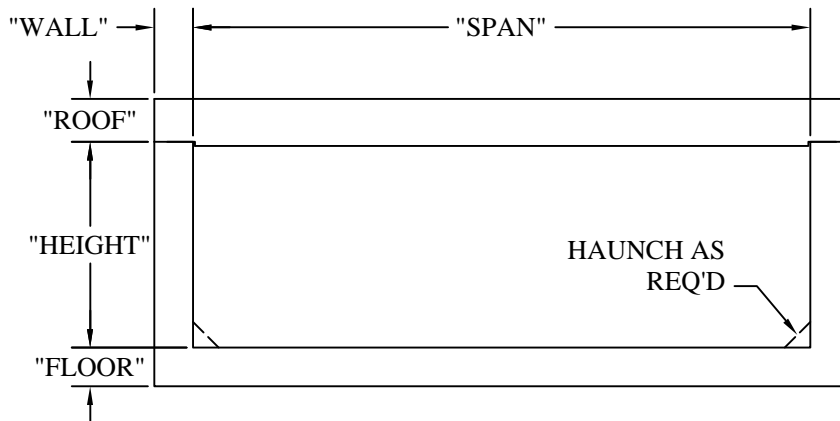
DRAWN BY: BTH

# TRENCH



PLAN VIEW

SECTION VIEW



\* PLEASE NOTE:  
ACM USES INSIDE DIMENSIONS TO  
DESCRIBE VAULT SIZE.

\* FOR ANY ADDITIONAL  
INFORMATION PLEASE CONTACT  
A.C. MILLER SALES  
REPRESENTATIVE

JOB: \_\_\_\_\_  
CUSTOMER: \_\_\_\_\_  
DRAWING \_\_\_ OF \_\_\_

LIVE LOAD: HS-20  
EARTH COVER: 0 to 2 ft.  
CONCRETE: 5000 psi AT 28 DAYS  
REBAR: GRADE 60, ASTM A615 SPEC'S  
PRECAST CONCRETE VAULT CONFORMS TO ASTM  
C890 AND C913 SPECIFICATIONS



31 E. BRIDGE ST.  
SPRING CITY  
PA. 19475  
PHONE: (610) 948-4600  
FAX: (610) 948-9750

RT.22 WEST  
BLAIRSVILLE,  
PA. 15717  
PHONE: (724) 459-5950  
FAX: (724) 459-9151

FILE NAME: CULVERT TRENCH  
P2

Precast Concrete Trench Culvert

DATE: 8/20/03

DRAWN BY: BTH