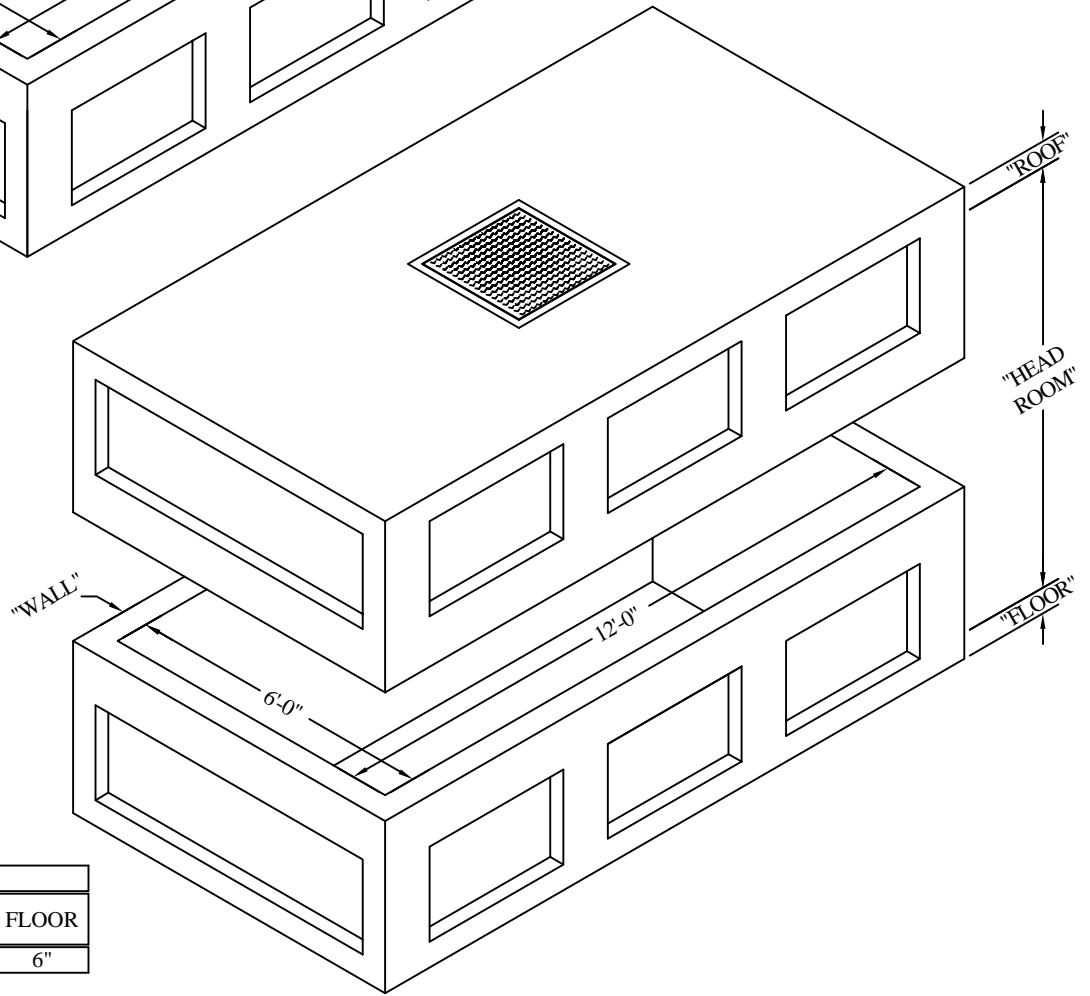
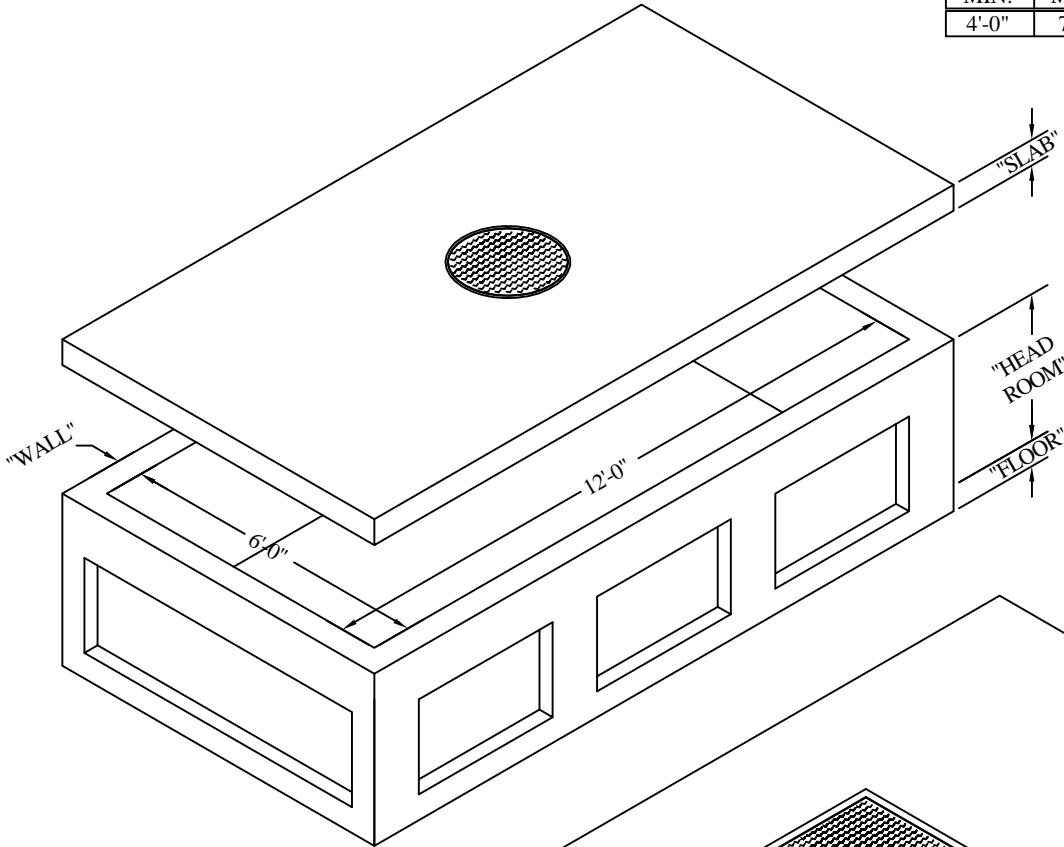


**6'-0" X 12'-0"**  
STANDARD MANHOLE

One-Piece Manhole				
HEADROOM		SLAB	WALL	FLOOR
MIN.	MAX.	6"	6" OR 8"	6"
4'-0"	7'-0"			



Two-Piece Manhole				
HEADROOM		ROOF	WALL	FLOOR
MIN.	MAX.	6"	6" OR 8"	6"
8'-0"	14'-0"			

**AC MILLER**  
CONCRETE PRODUCTS, INC.  
WWW.AC MILLER.COM

31 E. BRIDGE ST.  
SPRING CITY  
PA. 19475

PHONE:  
(610) 948-4600  
FAX:  
(610) 948-9750

RT. 22 WEST  
BLAIRSVILLE,  
PA. 15717

PHONE:  
(724) 459-5950  
FAX:  
(724) 459-9151

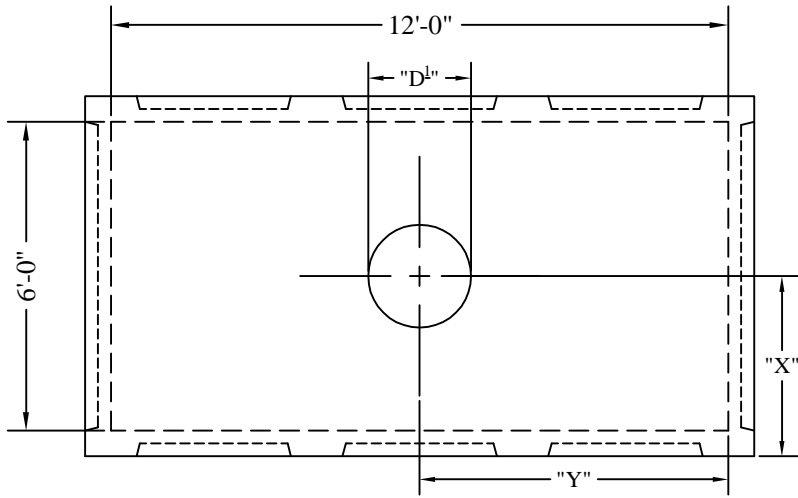
Precast Concrete Utility Vaults  
6'-0" X 12'-0" Manhole  
with Standard Knockout Panels

FILE NAME: 06x12 MANHOLE P1

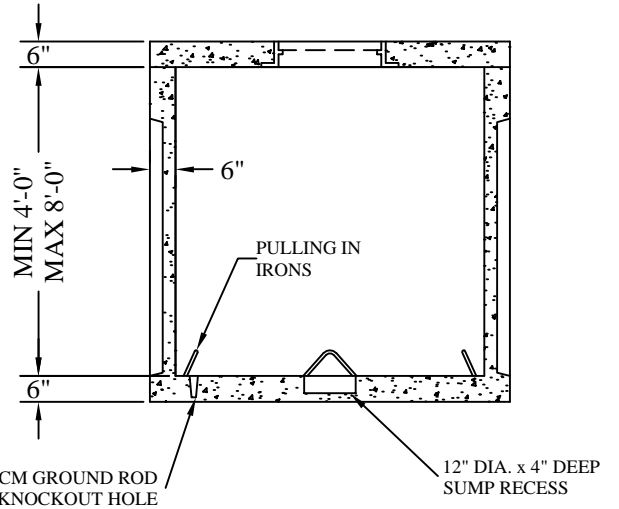
DATE: 8/20/03

DRAWN BY: BTH

**6'-0" X 12'-0"**  
STANDARD MANHOLE



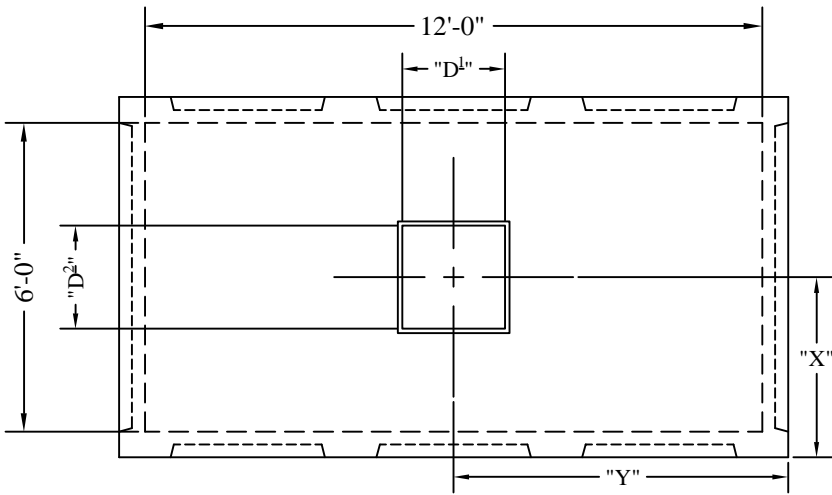
PLAN VIEW



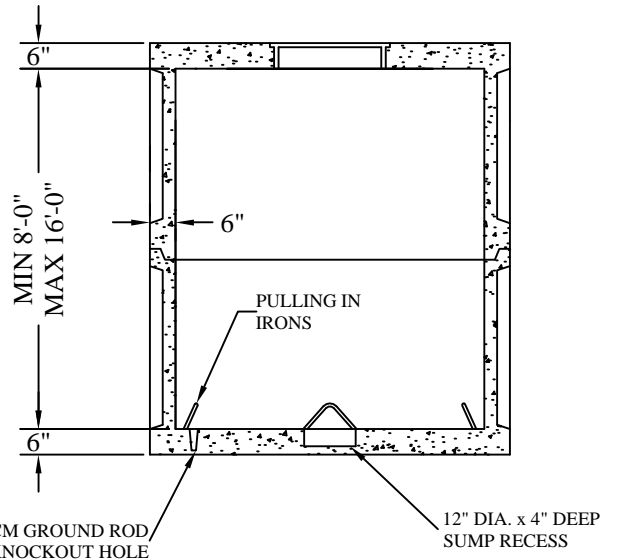
SECTION VIEW

**ONE-PIECE MANHOLE**

**TWO-PIECE MANHOLE**



PLAN VIEW



SECTION VIEW

"X" = \_\_\_\_\_

"Y" = \_\_\_\_\_

"D1" = \_\_\_\_\_

"D2" = \_\_\_\_\_

CIRCLE ALL THAT IS APPLICABLE

FRAME AND COVER, HATCH OR NONE

IF HATCH OR FRAME AND COVER:

CAST IN SLAB OR SEPERATE

\* PLEASE NOTE:  
ACM USES INSIDE DIMENSIONS TO  
DESCRIBE VAULT SIZE.

\* FOR ANY ADDITIONAL  
INFORMATION PLEASE CONTACT  
A.C. MILLER SALES  
REPRESENTATIVE

JOB: \_\_\_\_\_

CUSTOMER: \_\_\_\_\_

DRAWING \_\_\_ OF \_\_\_

LIVE LOAD: HS-20  
EARTH COVER: 0 to 2 ft.  
CONCRETE: 5000 psi AT 28 DAYS  
REBAR: GRADE 60, ASTM A615 SPEC'S  
PRECAST CONCRETE VAULT CONFORMS TO ASTM  
C890 AND C913 SPECIFICATIONS

**CONCRETE PRODUCTS, INC.**  
WWW.AC MILLER.COM  
**NPCA**  
CERTIFIED PLANT

31 E. BRIDGE ST.  
SPRING CITY  
PA. 19475

PHONE:  
(610) 948-4600  
FAX:  
(610) 948-9750

RT.22 WEST  
BLAIRSVILLE,  
PA. 15717

PHONE:  
(724) 459-5950  
FAX:  
(724) 459-9151

Precast Concrete Utility Vaults  
6'-0" X 12'-0" Manhole  
with Standard Knockout Panels

FILE NAME: 06x12 MANHOLE P2

DATE: 8/20/03

DRAWN BY: BTH