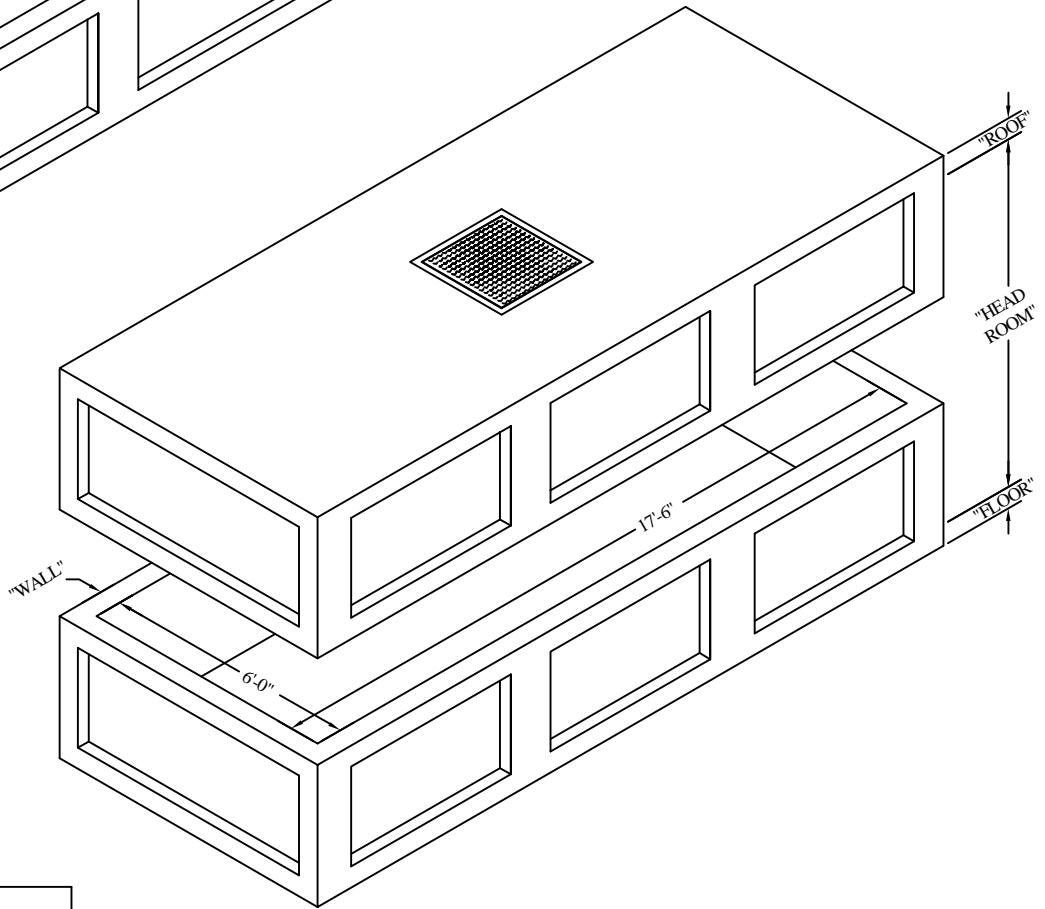
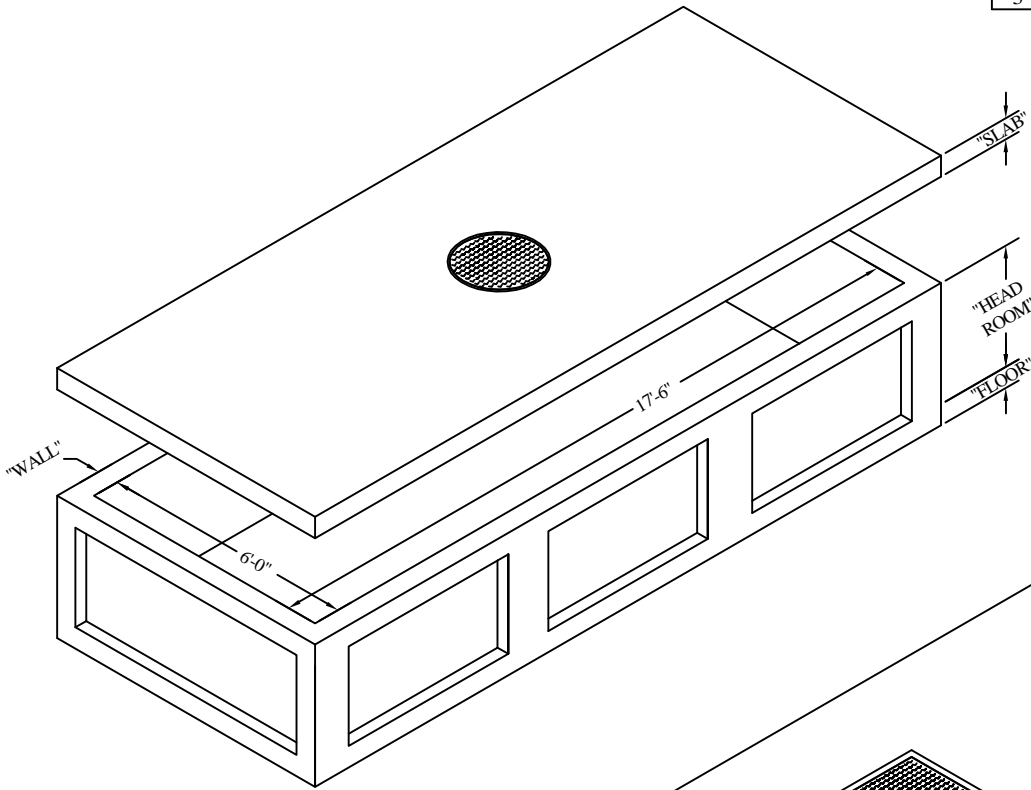


**6'-0" X 17'-6"**  
STANDARD MANHOLE

| One-Piece Manhole |       |      |           |       |
|-------------------|-------|------|-----------|-------|
| HEADROOM          |       | SLAB | WALL      | FLOOR |
| MIN.              | MAX.  |      |           |       |
| 3'-6"             | 5'-9" | 6"   | 8" TO 12" | 6"    |



| Two-Piece Manhole |        |      |           |       |
|-------------------|--------|------|-----------|-------|
| HEADROOM          |        | ROOF | WALL      | FLOOR |
| MIN.              | MAX.   |      |           |       |
| 7'-0"             | 11'-6" | 6"   | 8" TO 12" | 6"    |

**AC MILLER**  
CONCRETE PRODUCTS, INC.  
WWW.AC MILLER.COM

31 E. BRIDGE ST.  
SPRING CITY  
PA. 19475

PHONE:  
(610) 948-4600  
FAX:  
(610) 948-9750

RT.22 WEST  
BLAIRSVILLE,  
PA. 15717

PHONE:  
(724) 459-5950  
FAX:  
(724) 459-9151

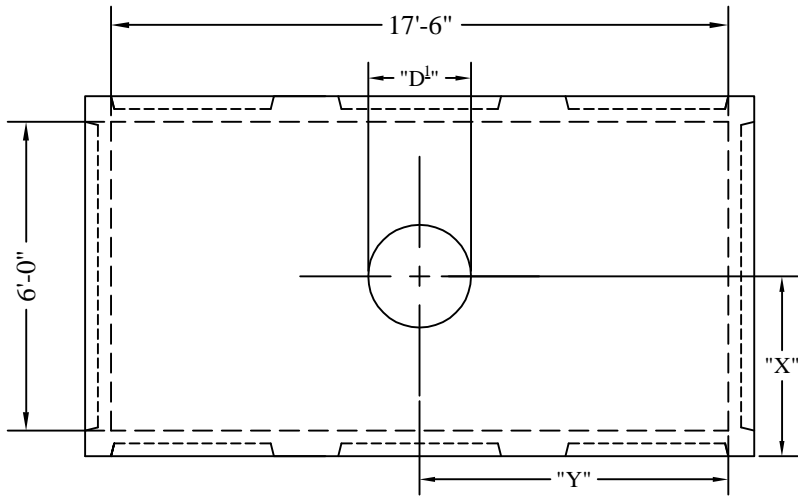
Precast Concrete Utility Vaults  
6'-0" X 17'-6" Manhole  
with Standard Knockout Panels

FILE NAME: 06x17-6 MANHOLE P1

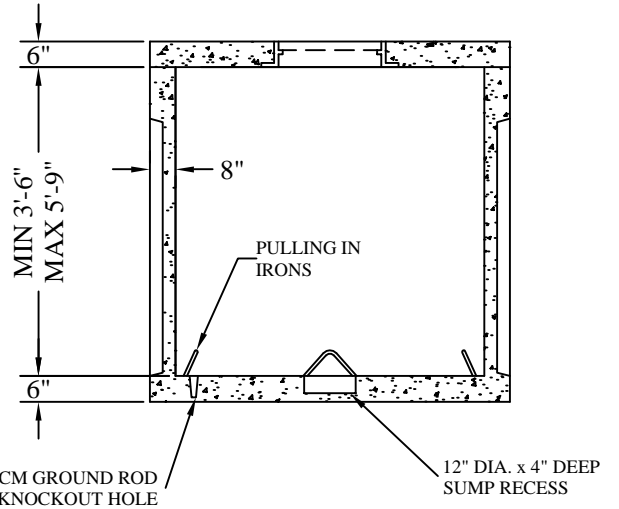
DATE: 8/20/03

DRAWN BY: BTH

**6'-0" X 17'-6"**  
STANDARD MANHOLE



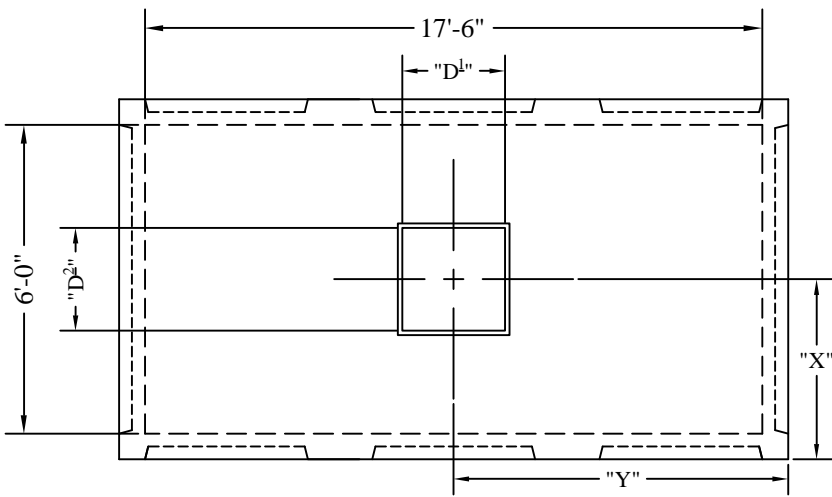
PLAN VIEW



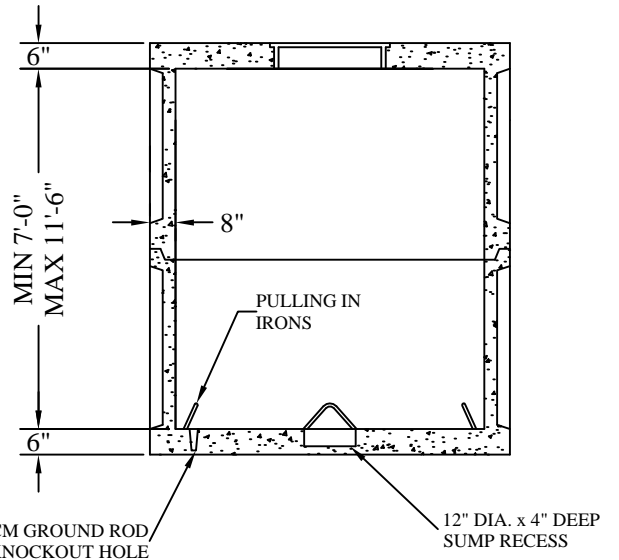
SECTION VIEW

**ONE-PIECE MANHOLE**

**TWO-PIECE MANHOLE**



PLAN VIEW



SECTION VIEW

"X" = \_\_\_\_\_  
 "Y" = \_\_\_\_\_  
 "D1" = \_\_\_\_\_  
 "D2" = \_\_\_\_\_

CIRCLE ALL THAT IS APPLICABLE

FRAME AND COVER, HATCH OR NONE

IF HATCH OR FRAME AND COVER:

CAST IN SLAB OR SEPERATE

\* PLEASE NOTE:  
 ACM USES INSIDE DIMENSIONS TO  
 DESCRIBE VAULT SIZE.

\* FOR ANY ADDITIONAL  
 INFORMATION PLEASE CONTACT  
 A.C. MILLER SALES  
 REPRESENTATIVE

JOB: \_\_\_\_\_  
 CUSTOMER: \_\_\_\_\_  
 DRAWING \_\_\_ OF \_\_\_

LIVE LOAD: HS-20  
 EARTH COVER: 0 to 2 ft.  
 CONCRETE: 5000 psi AT 28 DAYS  
 REBAR: GRADE 60, ASTM A615 SPEC'S  
 PRECAST CONCRETE VAULT CONFORMS TO ASTM  
 C890 AND C913 SPECIFICATIONS



31 E. BRIDGE ST. PHONE: (610) 948-4600  
 SPRING CITY FAX: (610) 948-9750  
 PA. 19475

RT.22 WEST PHONE: (724) 459-5950  
 BLAIRSVILLE, FAX: (724) 459-9151  
 PA. 15717

Precast Concrete Utility Vaults  
 6'-0" X 17'-6" Manhole  
 with Standard Knockout Panels

FILE NAME: 06x17-6 MANHOLE P2

DATE: 8/20/03

DRAWN BY: BTH