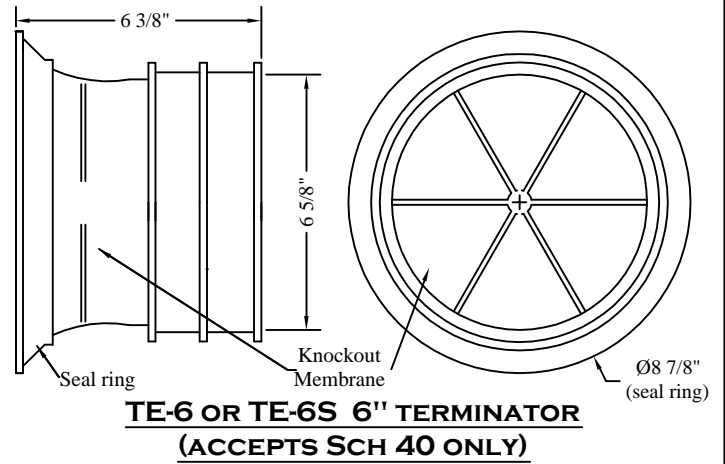
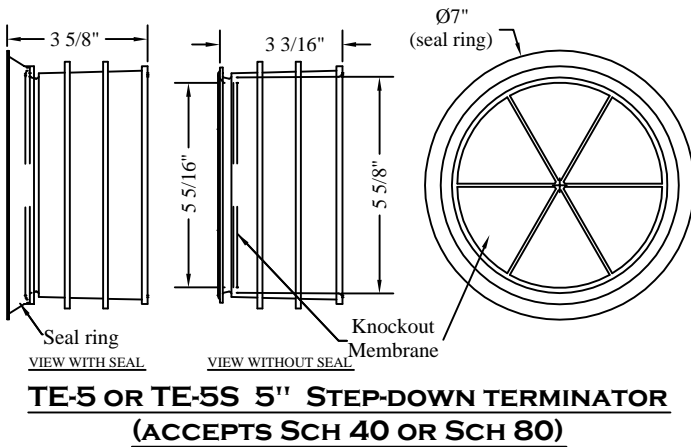
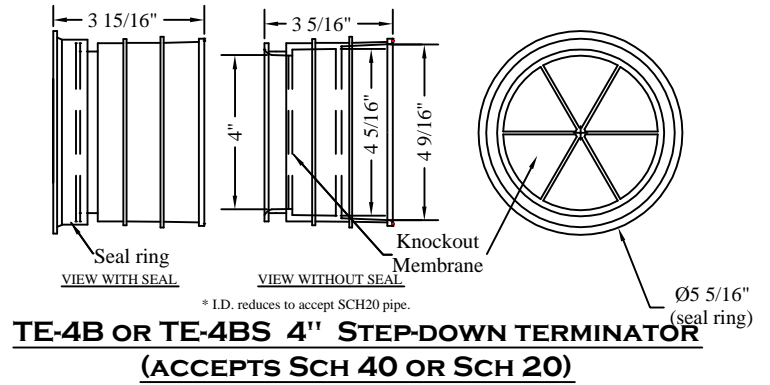
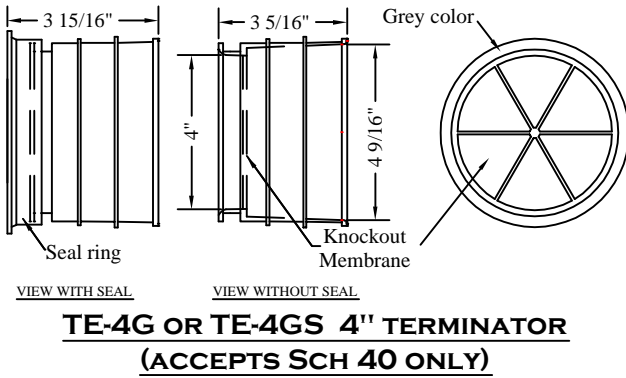
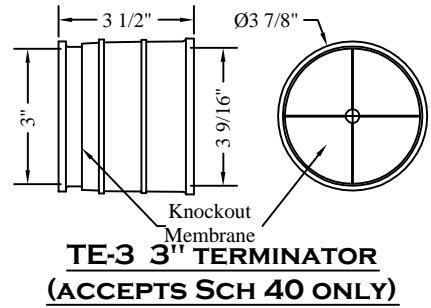
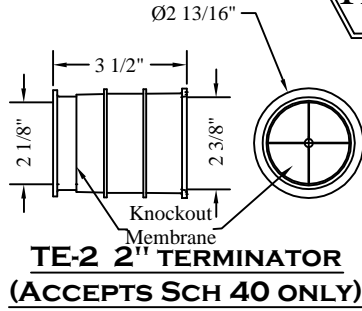


TERMINATORS

STANDARD MANHOLE



Model	TE-2	TE-3	TE-4B	TE-4BS	TE-4G	TE-4GS	TE-5	TE-5S	TE-6	TE-6S
Color	white	grey	black	black	grey	grey	black	black	black	black
Duct Size	2"	3"	4"	4"	4"	4"	5"	5"	6"	6"
Wall	SCH40	SCH40	SCH20	SCH20	SCH40	SCH40	SCH40	SCH40	SCH40	SCH40
			SCH40	SCH40			SCH80	SCH80		
Seal	n/a	n/a	no	yes	no	yes	no	yes	no	yes

Specifications: Penetrations for cables shall be Electric/Telephone Duct Terminators as manufactured by Pennsylvania Insert Corp., Spring City, PA. Terminators shall be sized to accept 2" (3", 4", 5", 6") Sch 40 (20, 80) pipe and will provide a bonding surface for glueing cable or duct to the terminator, creating a watertight penetration. Terminators shall be manufactured from polyethylene or polyvinylchloride (PVC).

AC MILLER
CONCRETE PRODUCTS, INC.
 WWW.AC MILLER.COM
NPCA
 CERTIFIED PLANT

31 E. BRIDGE ST.
 SPRING CITY
 PA. 19475

PHONE:
 (610) 948-4600
 FAX:
 (610) 948-9750

RT.22 WEST
 BLAIRSVILLE,
 PA. 15717

PHONE:
 (724) 459-5950
 FAX:
 (724) 459-9151

Precast Concrete
 Terminators

FILE NAME: WITH TERMINATORS

DATE: 8/20/03

DRAWN BY: BTH