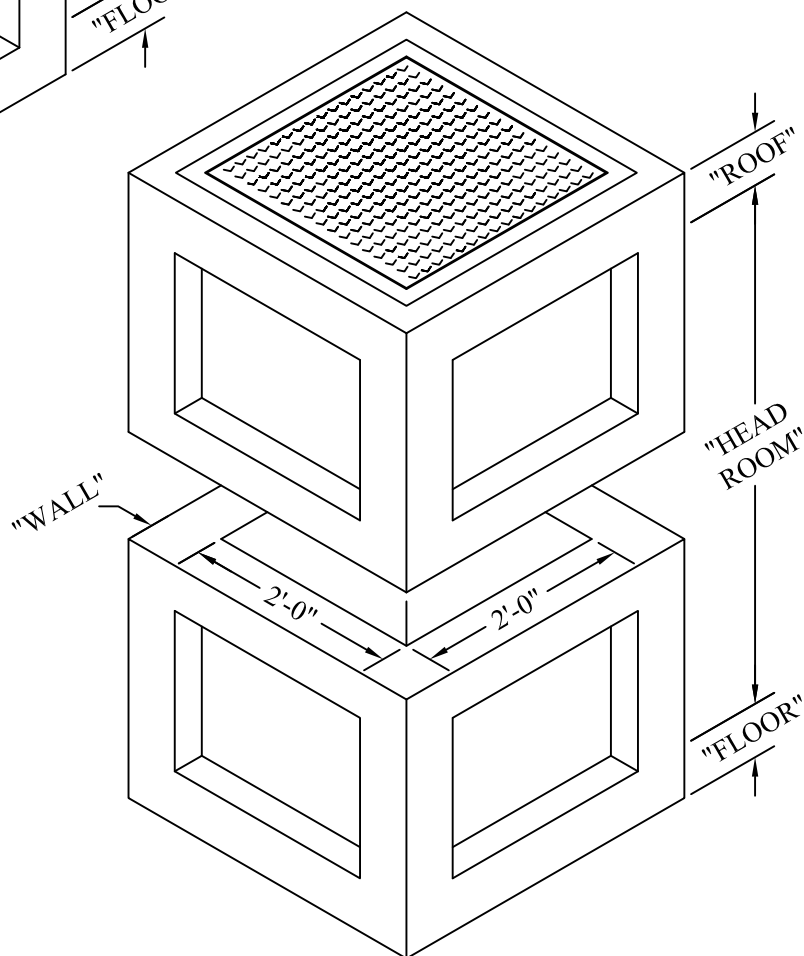
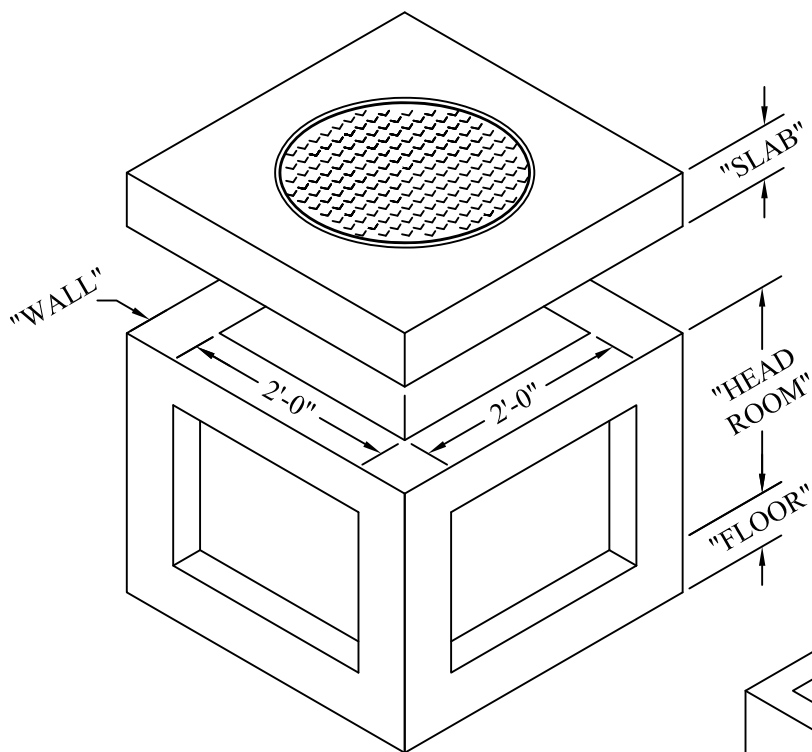


2'-0" X 2'-0"
STANDARD MANHOLE

One-Piece Manhole				
HEADROOM		SLAB	WALL	FLOOR
MIN.	MAX.			
2'-0"	4'-6"	6"	6"	6"



Two-Piece Manhole				
HEADROOM		ROOF	WALL	FLOOR
MIN.	MAX.			
4'-0"	9'-0"	6"	6"	6"

AC MILLER
CONCRETE PRODUCTS, INC.
WWW.ACMILLER.COM



31 E. BRIDGE ST. PHONE: (610) 948-4600
P.O. BOX 199 FAX: (610) 948-9750
SPRING CITY
PA. 19475
9558 ROUTE 22 PHONE: (724) 459-5950
P.O. BOX 93 FAX: (724) 459-9151
BLAIRSVILLE,
PA. 15717

Precast Concrete Utility Vaults
2'-0" X 2'-0" Manhole
with Standard Knockout Panels