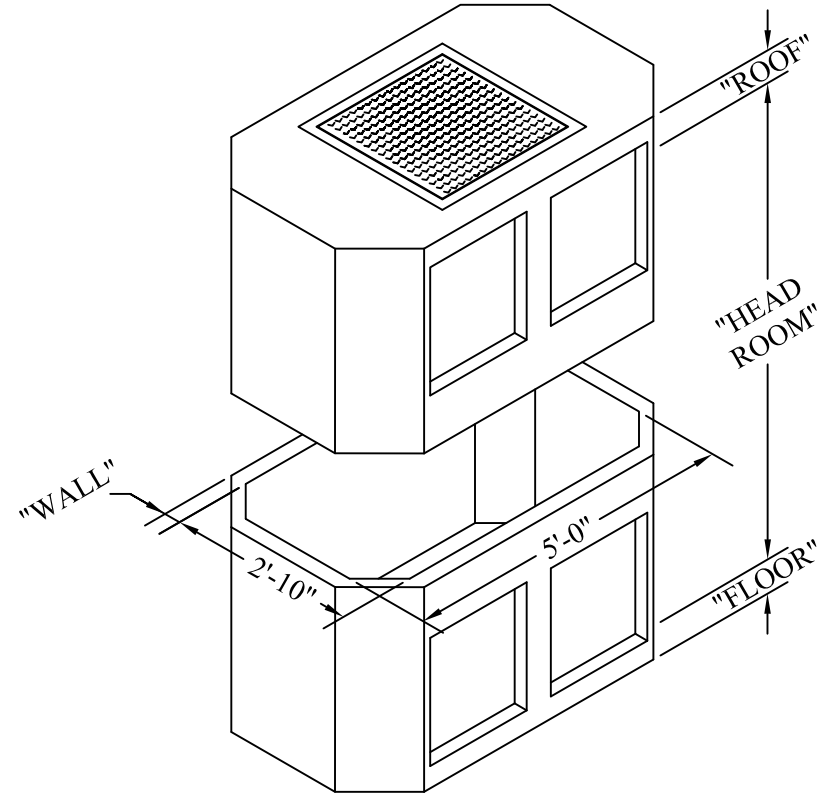
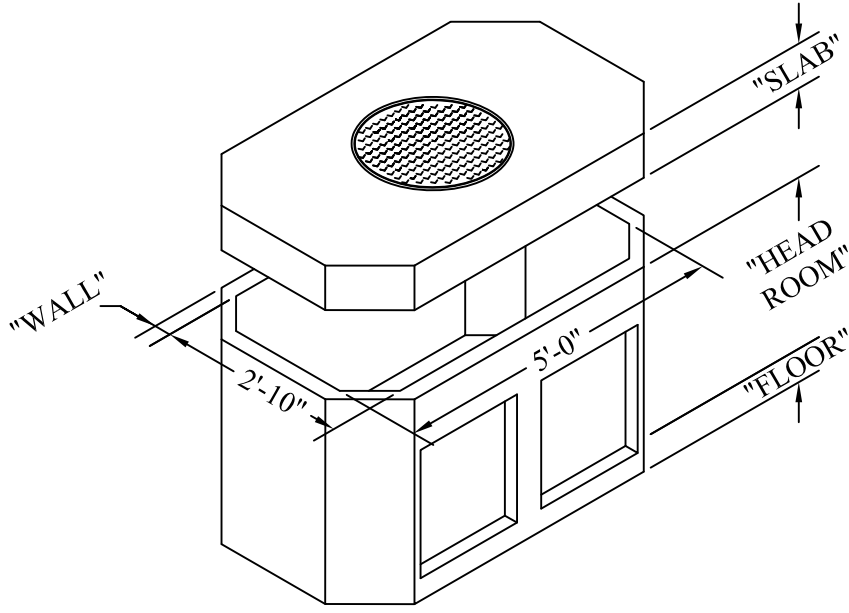


# 2'-10" X 5'-0"

OCTAGONAL MANHOLE

One-Piece Manhole				
HEADROOM		SLAB	WALL	FLOOR
MIN.	MAX.			
2'-6 3/4"		3" OR 7"	3"	3" OR 7"



Two-Piece Manhole				
HEADROOM		ROOF	WALL	FLOOR
MIN.	MAX.			
2'-6 3/4"	5'-1 1/2"	3" OR 7"	3"	3" OR 7"

**AC MILLER**  
**CONCRETE PRODUCTS, INC.**  
 WWW.AC MILLER.COM

31 E. BRIDGE ST.  
 P.O. BOX 199  
 SPRING CITY  
 PA. 19475

9558 ROUTE 22  
 P.O. BOX 93  
 BLAIRSVILLE,  
 PA. 15717

PHONE:  
 (610) 948-4600  
 FAX:  
 (610) 948-9750

PHONE:  
 (724) 459-5950  
 FAX:  
 (724) 459-9151

Precast Concrete Utility Vaults  
 2'-10" X 5'-0" Octagonal Manhole  
 with Solid Walls