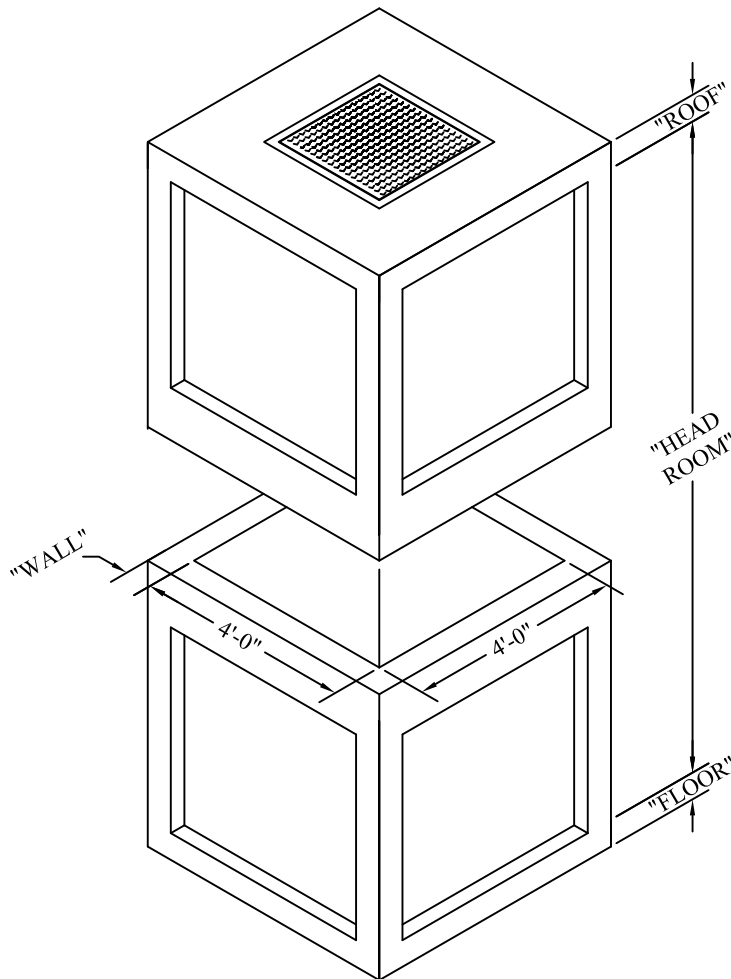
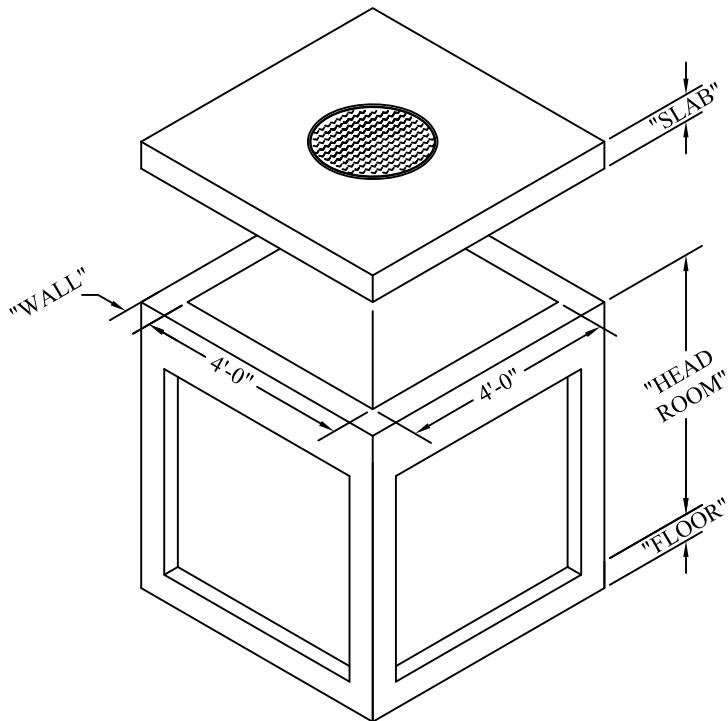


4'-0" X 4'-0"

STANDARD MANHOLE

One-Piece Manhole				
HEADROOM		SLAB	WALL	FLOOR
MIN.	MAX.			
4'-0"	6'-0"	6"	6",8"	6"



Two-Piece Manhole				
HEADROOM		ROOF	WALL	FLOOR
MIN.	MAX.			
8'-0"	12'-0"	6"	6",8"	6"

AC MILLER
CONCRETE PRODUCTS, INC.
 WWW.AC MILLER.COM



31 E. BRIDGE ST.
 P.O. BOX 199
 SPRING CITY
 PA. 19475
 9558 ROUTE 22
 P.O. BOX 93
 BLAIRSVILLE,
 PA. 15717

PHONE:
 (610) 948-4600
 FAX:
 (610) 948-9750

PHONE:
 (724) 459-5950
 FAX:
 (724) 459-9151

Precast Concrete Utility Vaults
 4'-0" X 4'-0" Manhole
 with Standard Knockout Panels