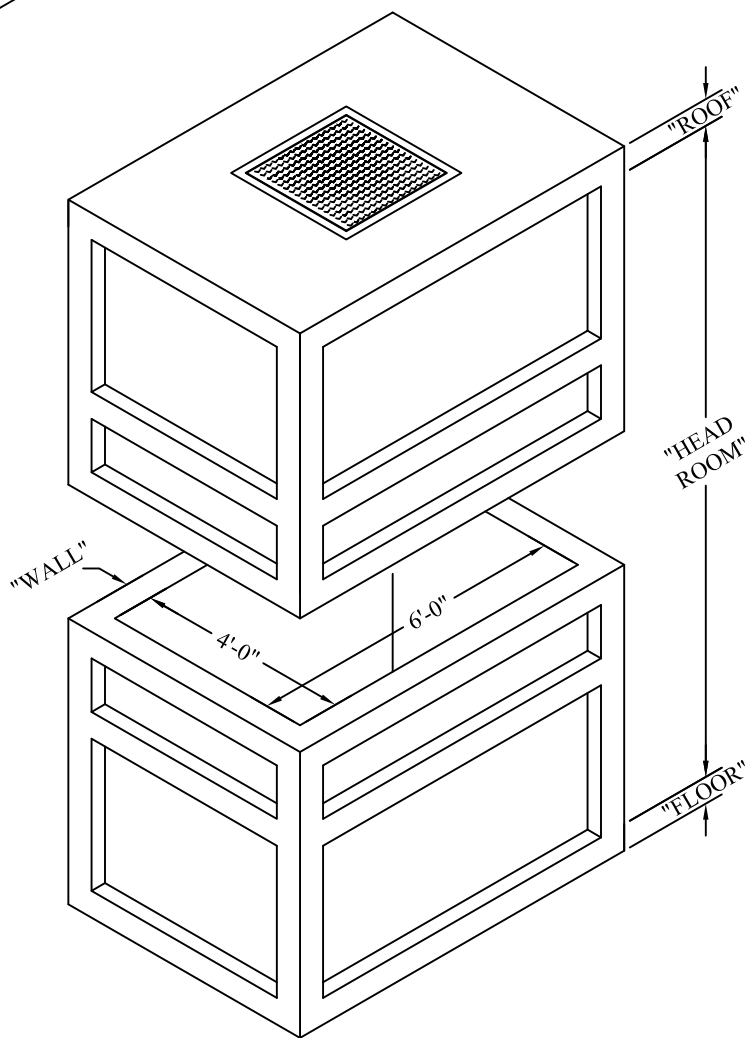
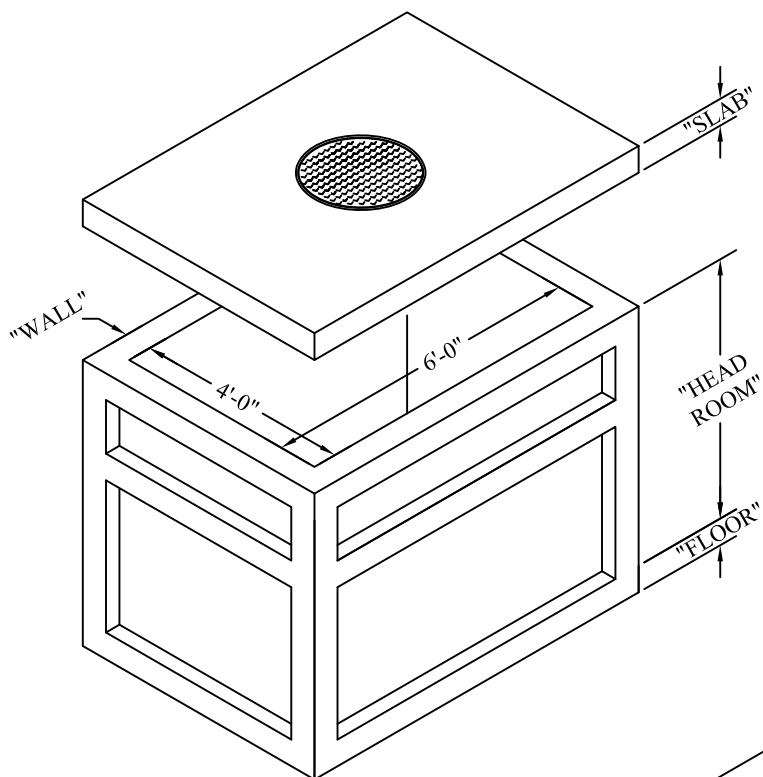


# 4'-0" X 6'-0"

STANDARD MANHOLE

| One-Piece Manhole |       |      |      |       |
|-------------------|-------|------|------|-------|
| HEADROOM          |       | SLAB | WALL | FLOOR |
| MIN.              | MAX.  | 6"   | 6"   | 6"    |
| 6'-0"             | 8'-0" |      |      |       |



| Two-Piece Manhole |        |      |      |       |
|-------------------|--------|------|------|-------|
| HEADROOM          |        | ROOF | WALL | FLOOR |
| MIN.              | MAX.   | 6"   | 6"   | 6"    |
| 12'-0"            | 16'-0" |      |      |       |

**AC MILLER**  
**CONCRETE PRODUCTS, INC.**  
 WWW.ACMILLER.COM



31 E. BRIDGE ST.  
 P.O. BOX 199  
 SPRING CITY  
 PA. 19475  
 9558 ROUTE 22  
 P.O. BOX 93  
 BLAIRSVILLE,  
 PA. 15717

PHONE:  
 (610) 948-4600  
 FAX:  
 (610) 948-9750

PHONE:  
 (724) 459-5950  
 FAX:  
 (724) 459-9151

Precast Concrete Utility Vaults  
 4'-0" X 6'-0" Manhole  
 with Standard Knockout Panels

FILE NAME: 04x06 MANHOLE P1

DATE: 6/02/18

DRAWN BY: BTH