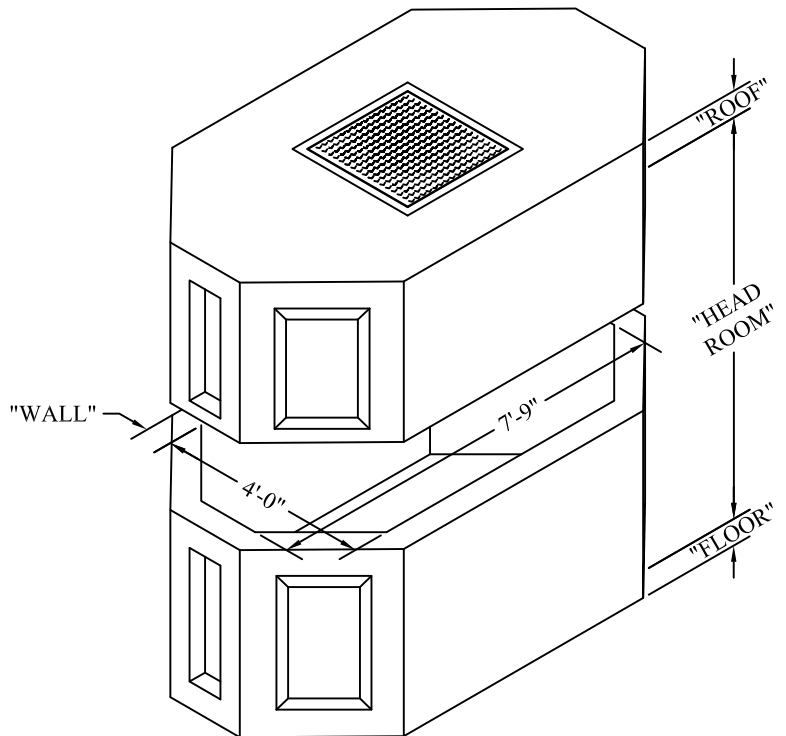
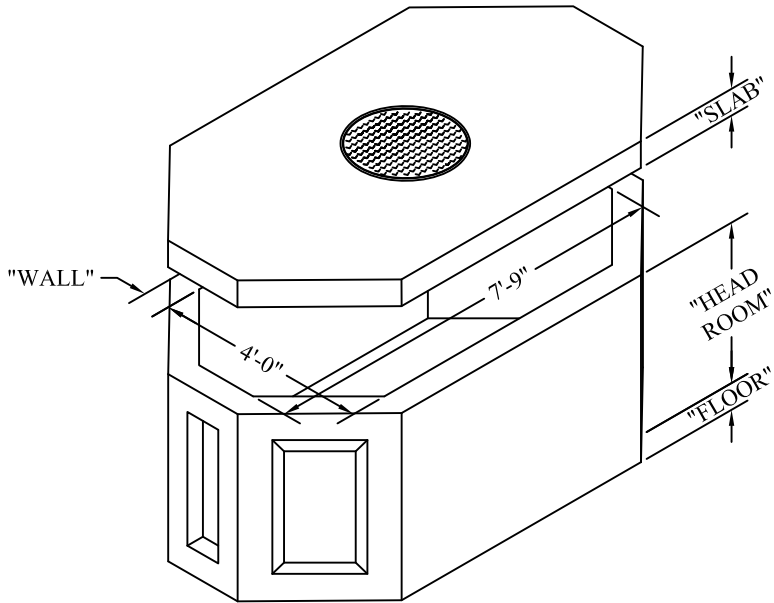


4'-0" X 7'-9"

OCTAGONAL MANHOLE

One-Piece Manhole				
HEADROOM		SLAB	WALL	FLOOR
MIN.	MAX.			
3'-0"	4'-0"	6"	6"	6"



Two-Piece Manhole				
HEADROOM		ROOF	WALL	FLOOR
MIN.	MAX.			
6'-0"	8'-0"	6"	6"	6"

AC MILLER
CONCRETE PRODUCTS, INC.
 WWW.ACMILLER.COM



31 E. BRIDGE ST.
 P.O. BOX 199
 SPRING CITY
 PA. 19475
 9558 ROUTE 22
 P.O. BOX 93
 BLAIRSVILLE,
 PA. 15717

PHONE:
 (610) 948-4600
 FAX:
 (610) 948-9750

PHONE:
 (724) 459-5950
 FAX:
 (724) 459-9151

Precast Concrete Utility Vaults
 4'-0" X 7'-9" Octagonal Manhole
 with Standard Knockout Panels

FILE NAME: OCT 04-00X07-9 MANHOLE P1

DATE: 6/2/18

DRAWN BY: BTH