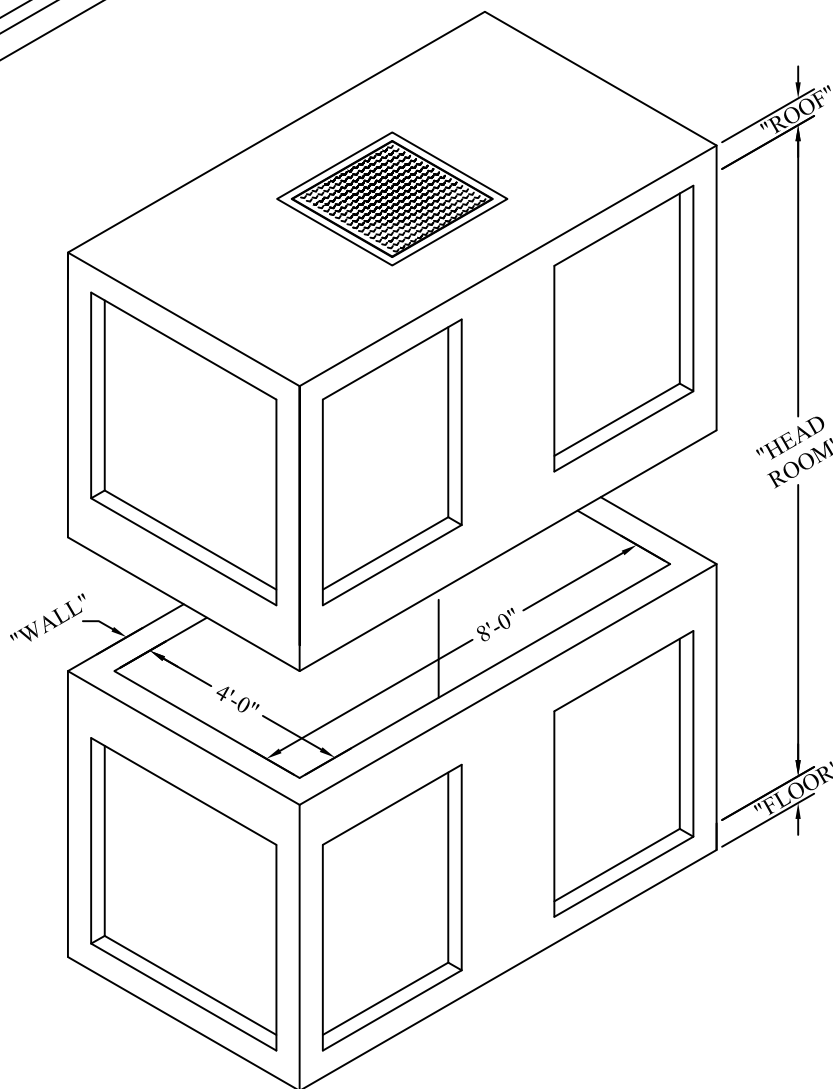
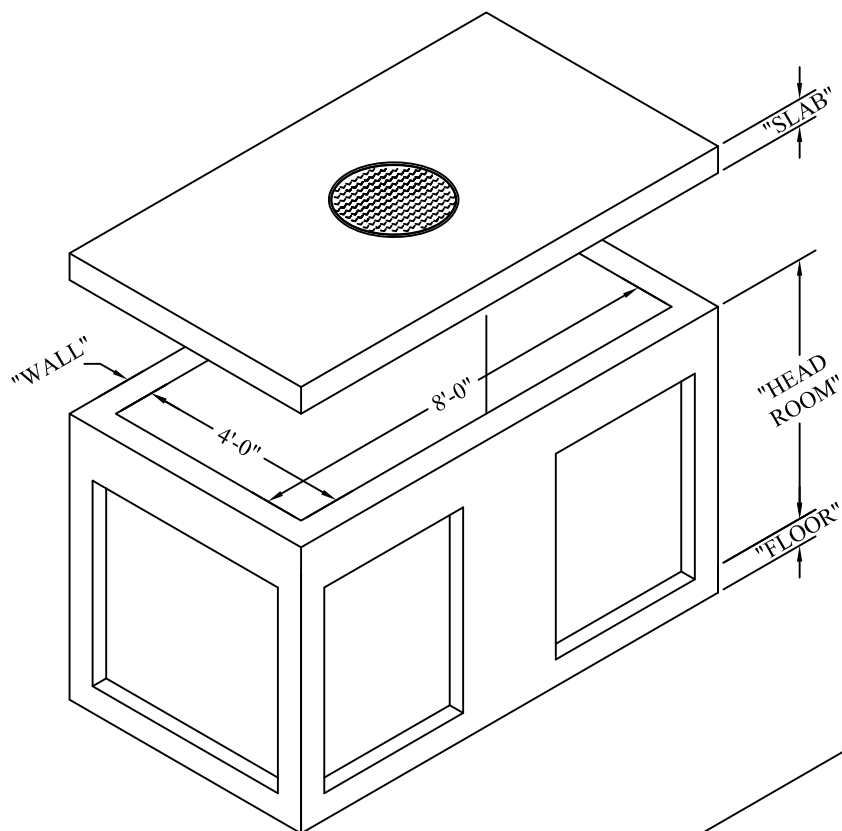


4'-0" X 8'-0"
STANDARD MANHOLE

One-Piece Manhole				
HEADROOM		SLAB	WALL	FLOOR
MIN.	MAX.			
4'-0"	8'-0"	6"	6" OR 8"	6"



Two-Piece Manhole				
HEADROOM		ROOF	WALL	FLOOR
MIN.	MAX.			
8'-0"	16'-0"	6"	6" OR 8"	6"

AC MILLER
CONCRETE PRODUCTS, INC.
WWW.AC MILLER.COM



31 E. BRIDGE ST.
P.O. BOX 199
SPRING CITY
PA. 19475
PHONE: (610) 948-4600
FAX: (610) 948-9750

9558 ROUTE 22
P.O. BOX 93
BLAIRSVILLE,
PA. 15717
PHONE: (724) 459-5950
FAX: (724) 459-9151

Precast Concrete Utility Vaults
4'-0" X 8'-0" Manhole
with Standard Knockout Panels