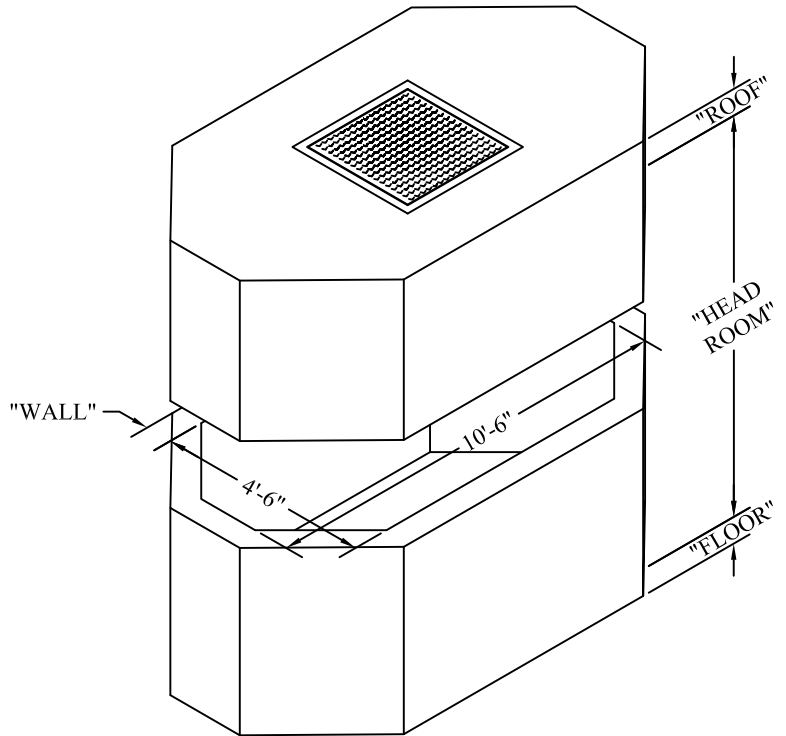
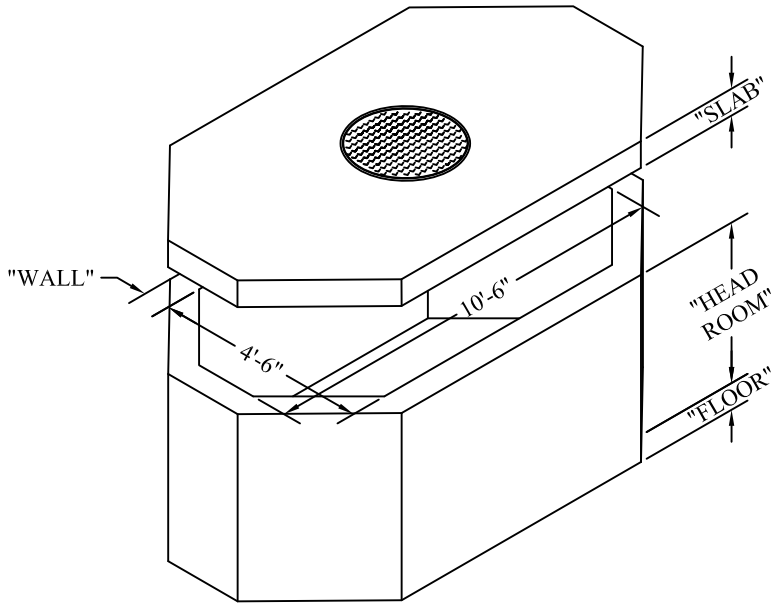


# 4'-6" X 10'-6"

OCTAGONAL MANHOLE

One-Piece Manhole				
HEADROOM		SLAB	WALL	FLOOR
MIN.	MAX.			
3'-6"	5'-0"	6"	6"	6"



Two-Piece Manhole				
HEADROOM		ROOF	WALL	FLOOR
MIN.	MAX.			
7'-0"	10'-0"	6"	6"	6"

**AC MILLER**  
**CONCRETE PRODUCTS, INC.**  
 WWW.AC MILLER.COM



31 E. BRIDGE ST.      PHONE:  
 P.O. BOX 199      (610) 948-4600  
 SPRING CITY      FAX:  
 PA. 19475      (610) 948-9750

9558 ROUTE 22      PHONE:  
 P.O. BOX 93      (724) 459-5950  
 BLAIRSVILLE,      FAX:  
 PA. 15717      (724) 459-9151

**Precast Concrete Utility Vaults**  
**4'-6" X 10'-6" Octagonal Manhole**  
**with Solid Walls**

FILE NAME: OCT 04-06X15-6 MANHOLE P1

DATE: 6/2/18

DRAWN BY: BTH