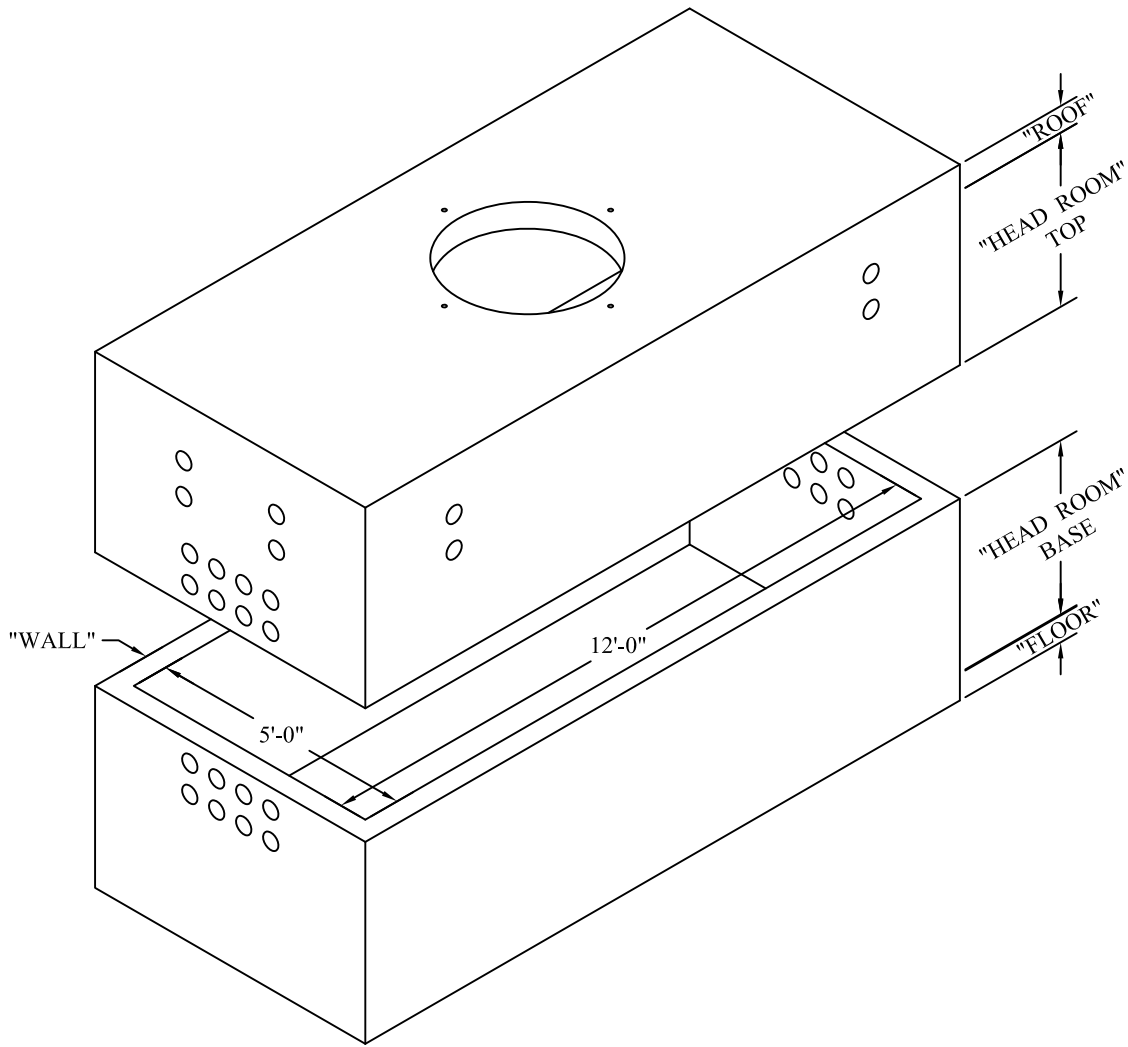


5'-0" X 12'-0"

38Y MANHOLE



Two-Piece Manhole				
HEADROOM		ROOF	WALL	FLOOR
TOP	BASE			
3'-3"	3'-3"	6"	5"	6"

AC MILLER
CONCRETE PRODUCTS, INC.
 WWW.AC MILLER.COM



31 E. BRIDGE ST. PHONE: (610) 948-4600
 P.O. BOX 199 (610) 948-9750
 SPRING CITY FAX: (610) 948-9750
 PA. 19475
 9558 ROUTE 22 PHONE: (724) 459-5950
 P.O. BOX 93 (724) 459-9151
 BLAIRSVILLE, FAX: (724) 459-9151
 PA. 15717

Precast Concrete Utility Vaults
 5'-0" X 12'-0" 38Y Straight Thru Manhole

FILE NAME: 05x12 38Y P1

DATE: 6/02/18

DRAWN BY: BTH