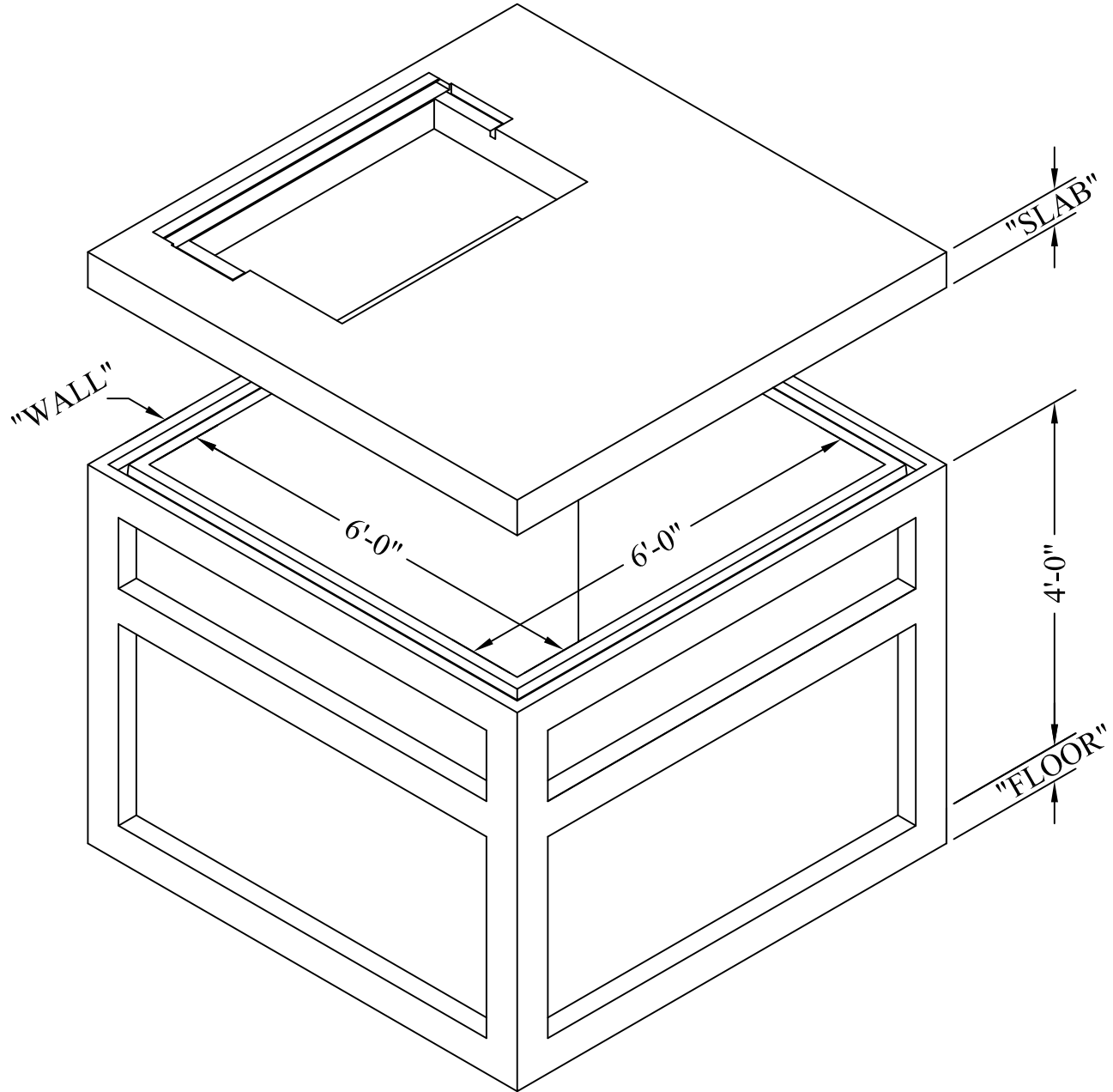


6'-0" X 6'-0"

KVA MANHOLE

| KVA Manhole |       |      |      |       |
|-------------|-------|------|------|-------|
| HEADROOM    |       | SLAB | WALL | FLOOR |
| MIN.        | MAX.  |      |      |       |
| 4'-0"       | 4'-0" | 6"   | 6"   | 6"    |



**AC MILLER**  
**CONCRETE PRODUCTS, INC.**  
 WWW.AC MILLER.COM



31 E. BRIDGE ST.      PHONE: (610) 948-4600  
 P.O. BOX 199        FAX: (610) 948-9750  
 SPRING CITY  
 PA. 19475  
 9558 ROUTE 22      PHONE: (724) 459-5950  
 P.O. BOX 93        FAX: (724) 459-9151  
 BLAIRSVILLE,  
 PA. 15717

Precast Concrete Utility Vaults  
 6'-0" X 6'-0" KVA Manhole  
 with Standard Knockout Panels

FILE NAME: 06x06 KVA P1

DATE:6/02/18

DRAWN BY: BTH