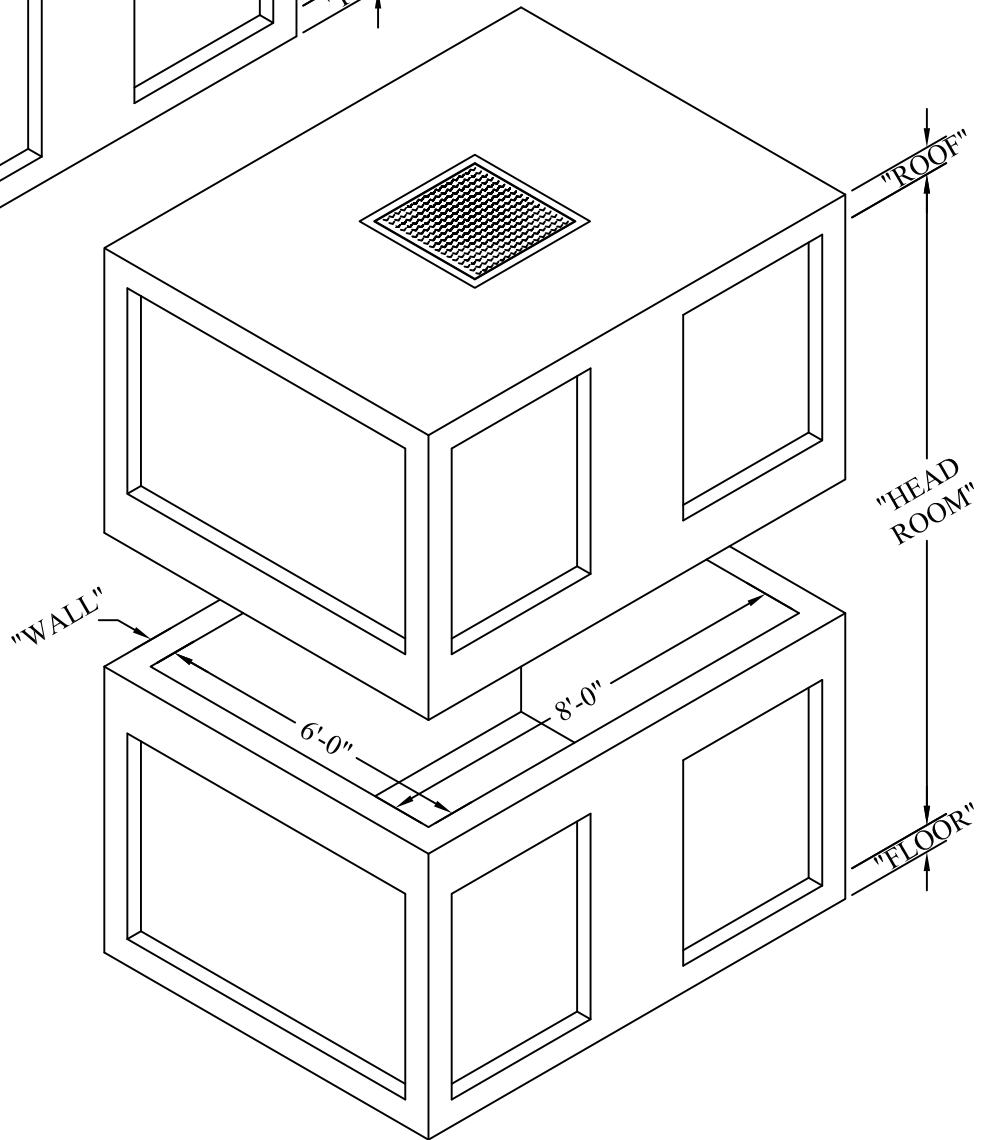
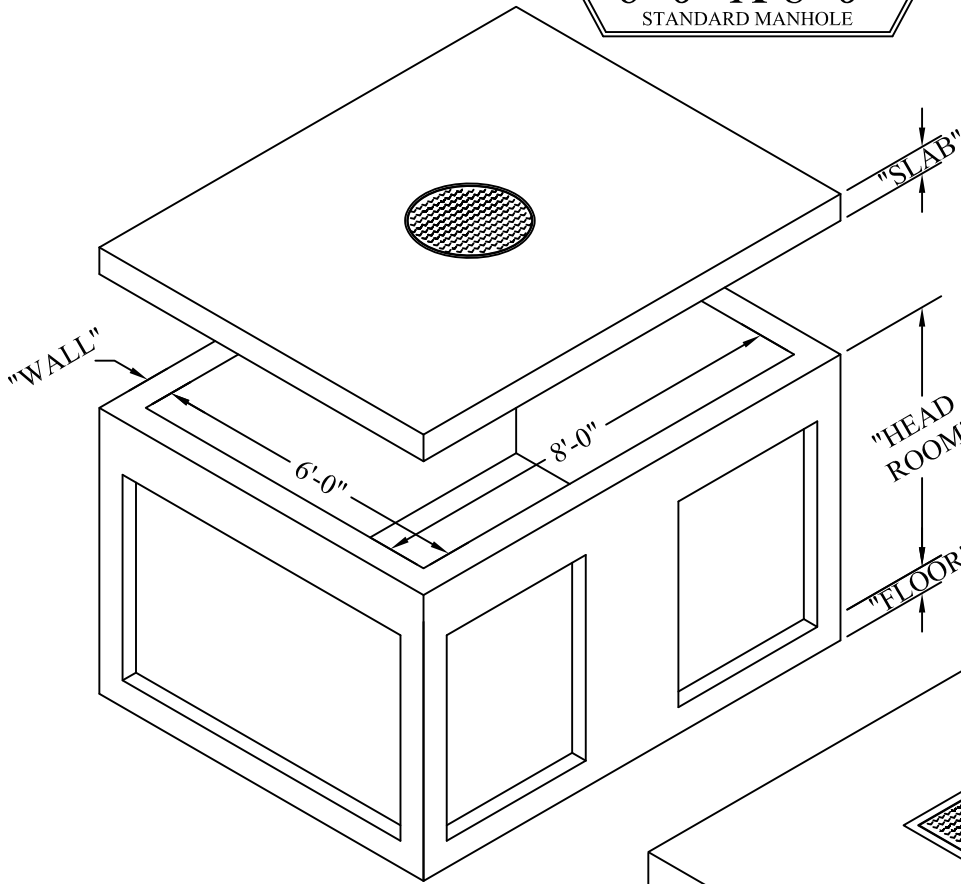


# 6'-0" X 8'-0"

STANDARD MANHOLE

One-Piece Manhole				
HEADROOM		SLAB	WALL	FLOOR
MIN.	MAX.			
4'-0"	7'-0"	6"	6", 8"	6"



Two-Piece Manhole				
HEADROOM		ROOF	WALL	FLOOR
MIN.	MAX.			
8'-0"	14'-0"	6"	6", 8"	6"

**AC MILLER**  
**CONCRETE PRODUCTS, INC.**  
 WWW.AC MILLER.COM



31 E. BRIDGE ST.  
 P.O. BOX 199  
 SPRING CITY  
 PA. 19475  
 9558 ROUTE 22  
 P.O. BOX 93  
 BLAIRSVILLE,  
 PA. 15717

PHONE:  
 (610) 948-4600  
 FAX:  
 (610) 948-9750

PHONE:  
 (724) 459-5950  
 FAX:  
 (724) 459-9151

Precast Concrete Utility Vaults  
 6'-0" X 8'-0" Manhole  
 with Standard Knockout Panels

FILE NAME: 06x08 MANHOLE P1

DATE: 6/02/18

DRAWN BY: BTH