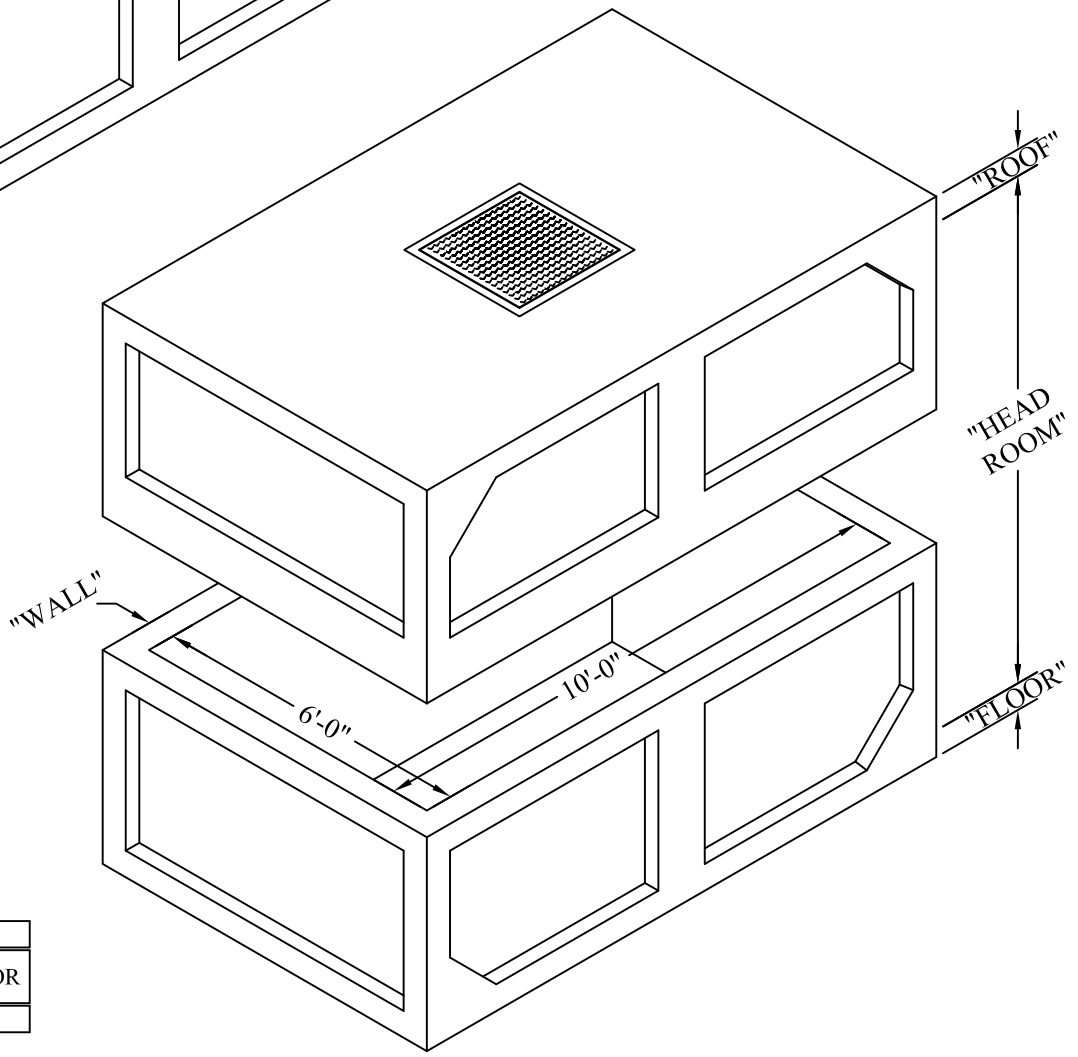
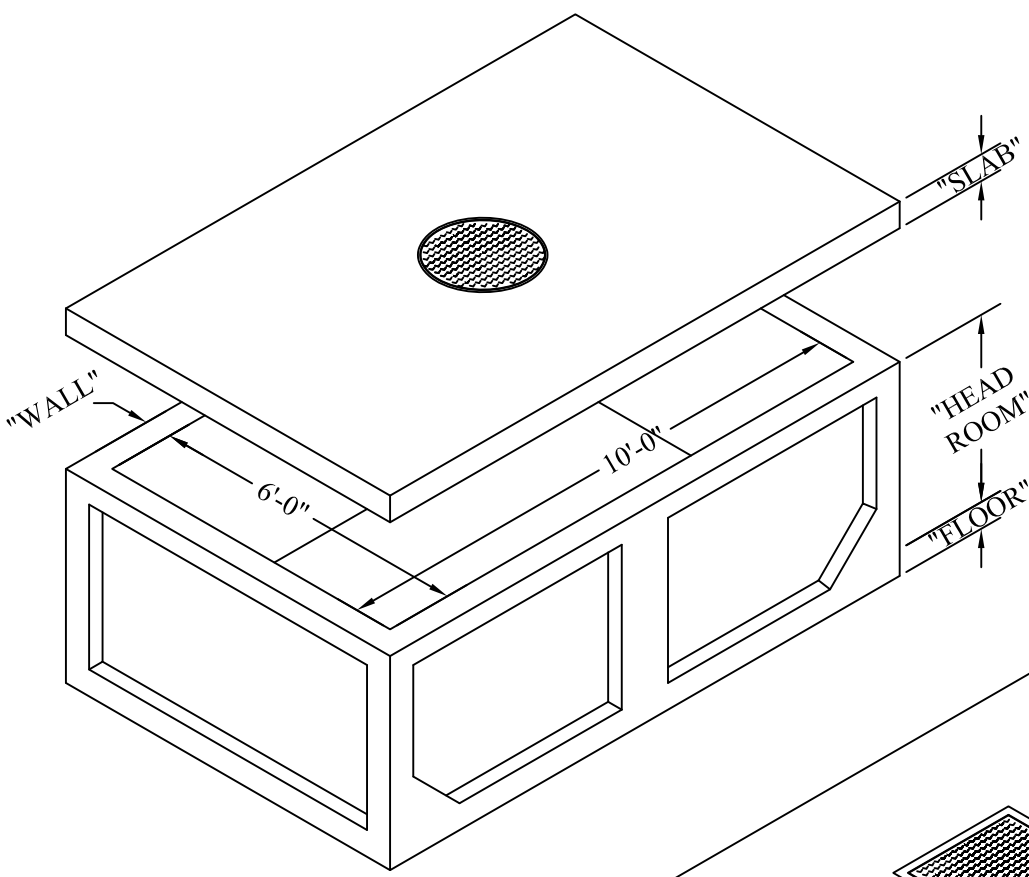


**6'-0" X 10'-0"**  
STANDARD MANHOLE

One-Piece Manhole				
HEADROOM		SLAB	WALL	FLOOR
MIN.	MAX.			
3'-6"	4'-0"	6"	6"	6"



Two-Piece Manhole				
HEADROOM		ROOF	WALL	FLOOR
MIN.	MAX.			
7'-0"	8'-0"	6"	6"	6"

**AC MILLER**  
CONCRETE PRODUCTS, INC.  
WWW.AC MILLER.COM

31 E. BRIDGE ST.  
SPRING CITY  
PA. 19475  
PHONE: (610) 948-4600  
FAX: (610) 948-9750

9558 ROUTE 22  
BLAIRSVILLE,  
PA. 15717  
PHONE: (724) 459-5950  
FAX: (724) 459-9151

Precast Concrete Utility Vaults  
6'-0" X 10'-0" Manhole  
with Standard Knockout Panels