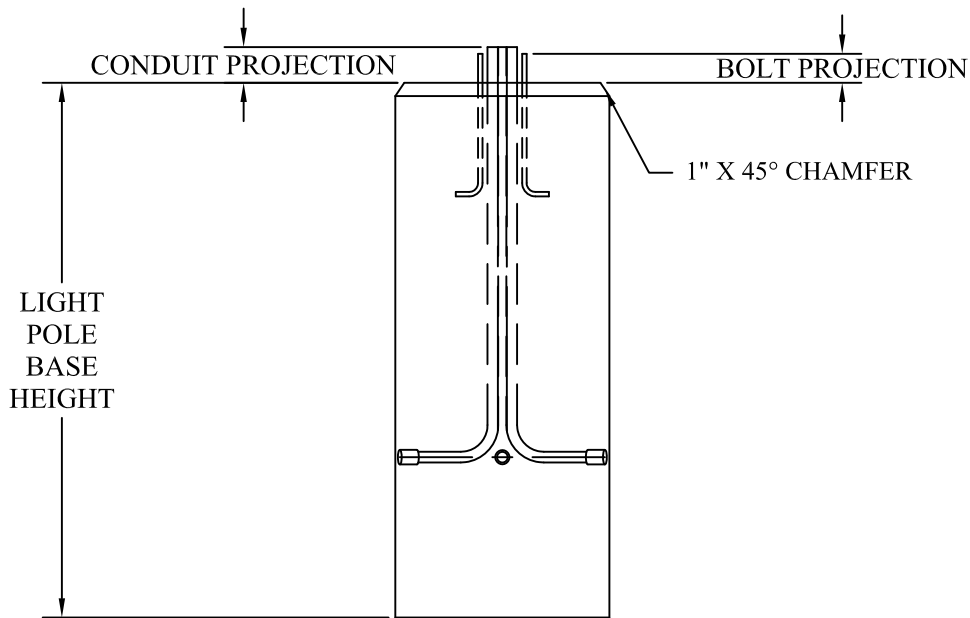
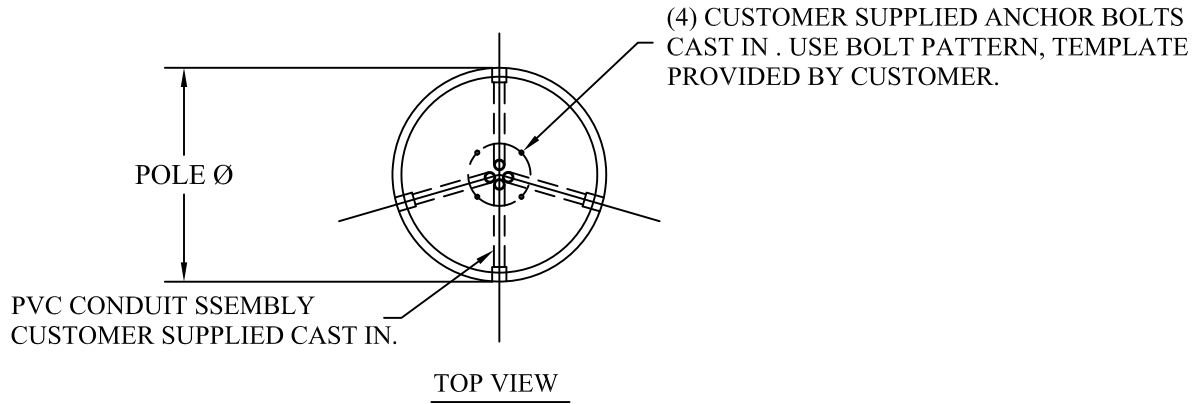


LIGHT POLE



POLE Ø	MAX HEIGHT
18" Ø	102"
24" Ø	114"
30" Ø	138"
36" Ø	186"

AC MILLER
CONCRETE PRODUCTS, INC.
WWW.AC MILLER.COM



31 E. BRIDGE ST. PHONE:
P.O. BOX 199 (610) 948-4600
SPRING CITY FAX:
PA. 19475 (610) 948-9750

9558 ROUTE 22 PHONE:
P.O. BOX 93 (724) 459-5950
BLAIRSVILLE, FAX:
PA. 15717 (724) 459-9151

Precast Concrete Light Pole Base
Call for Sizes Available

FILE NAME: LIGHT POLE P2

DATE: 6/02/18

DRAWN BY: BTH