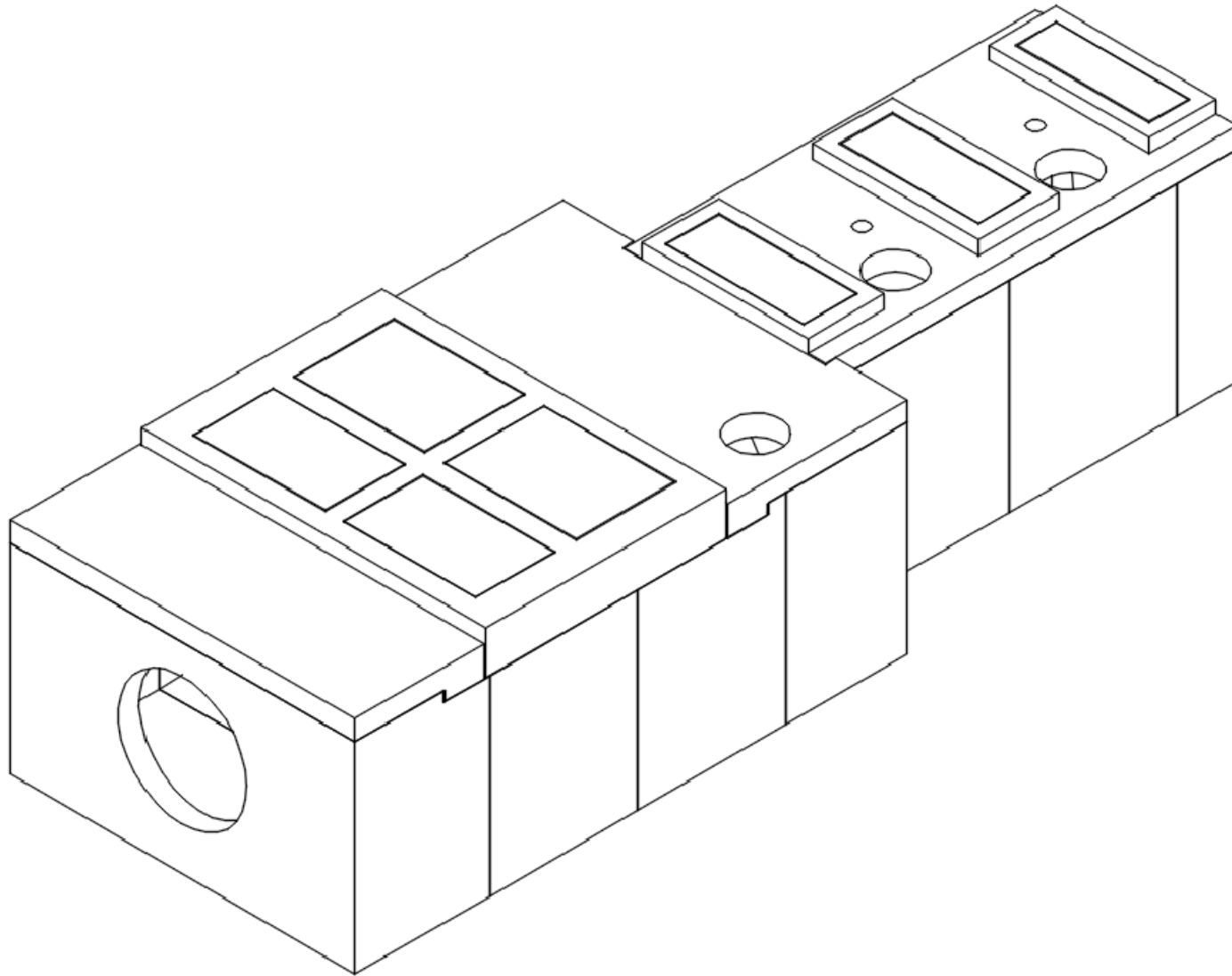


NETTING CHAMBER



A.C. Miller
CONCRETE PRODUCTS, INC.

www.acmiller.com



31 E. BRIDGE ST.
P.O. BOX 199
SPRING CITY
PA. 19475

9558 ROUTE 22
P.O. BOX 93
BLAIRSVILLE,
PA. 15717

PHONE:
(610) 948-4600
FAX:
(610) 948-9750

PHONE:
(724) 459-5950
FAX:
(724) 459-9151

Precast Concrete
NETTING CHAMBER

FILE NAME: PREPIPED PIT P1

DATE: 6/02/18

DRAWN BY: BTH