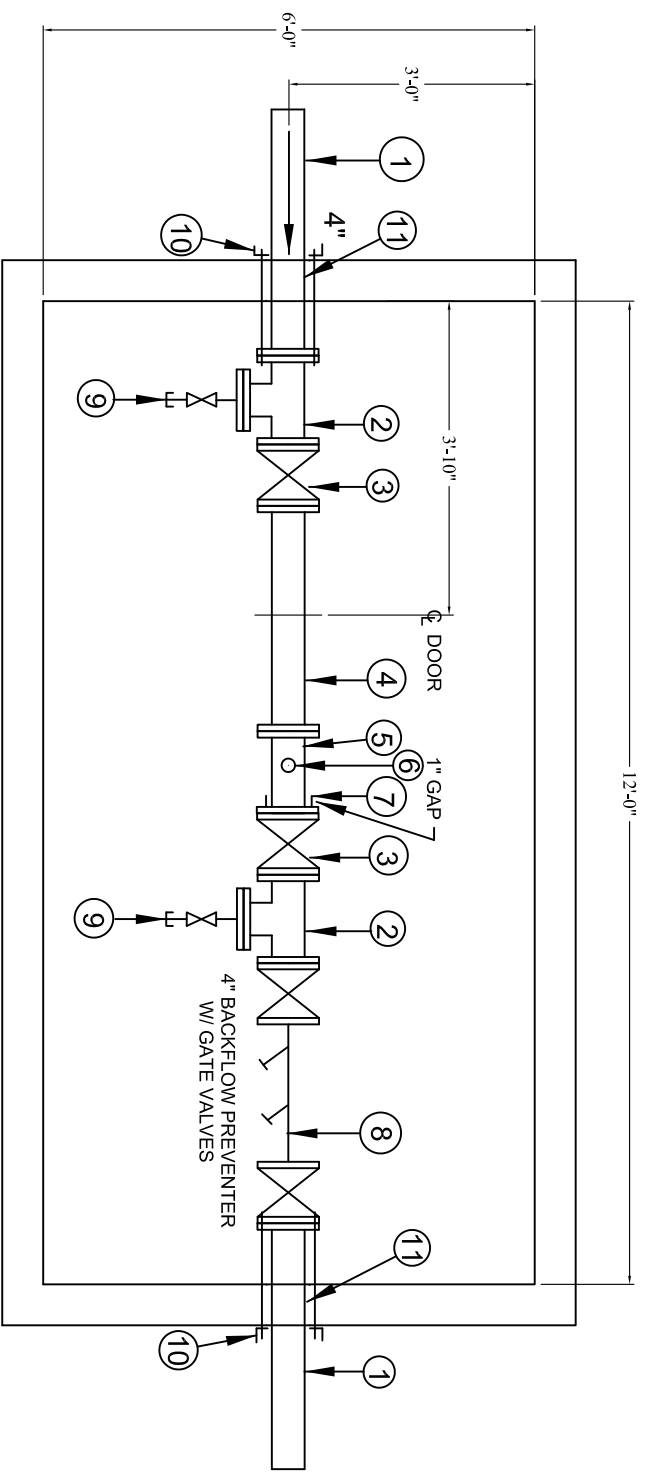


PRE-PIPED MANHOLE



LEGEND	
ITEM	QTY
1	2
2	2
3	2
4	1
5	1
6	1
7	1
8	1
9	2
10	4
11	2



CONCRETE PRODUCTS, INC.
www.acmiller.com



31 E. BRIDGE ST. P.O. BOX 199 SPRING CITY PA. 19475	PHONE: (610) 948-4600 FAX: (610) 948-9750
9558 ROUTE 22 P.O. BOX 93 BLAIRSVILLE, PA. 15717	PHONE: (724) 459-5950 FAX: (724) 459-9151

Precast Concrete
4" Pre-Piped Manhole

FILE NAME: PREPIPED PTT P1 DATE: 6/02/18 DRAWN BY: BTH