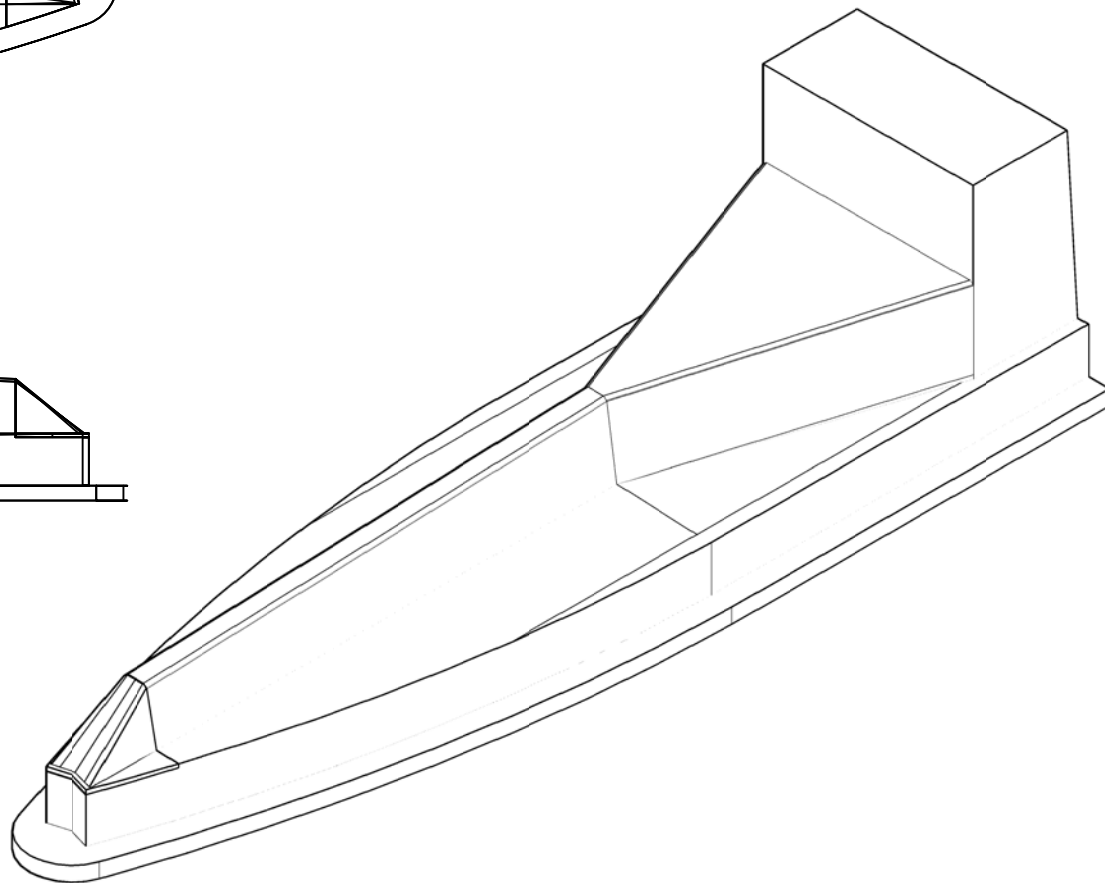
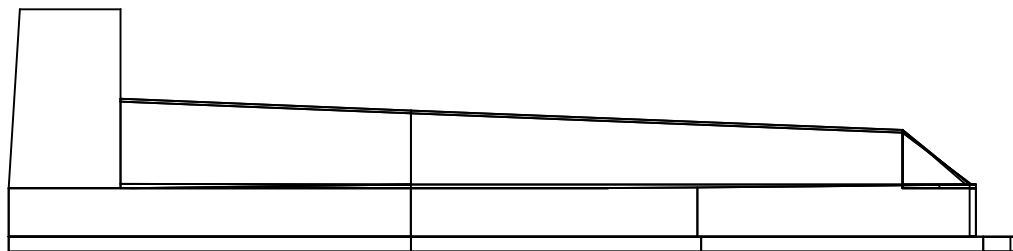
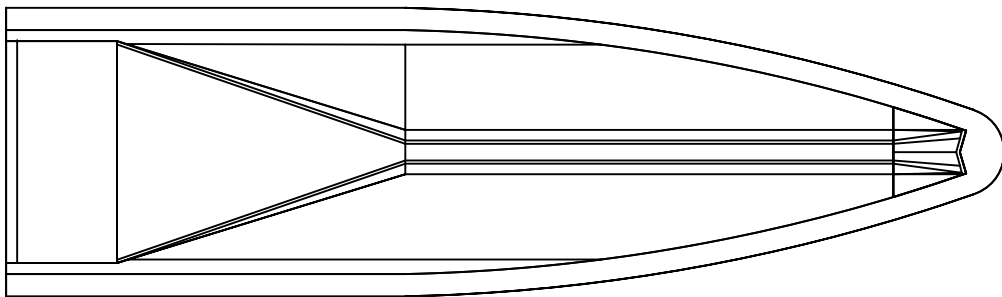


TOLL BOTH ISLANDS



A.C. Miller
CONCRETE PRODUCTS, INC.

www.acmiller.com



31 E. BRIDGE ST.
 P.O. BOX 199
 SPRING CITY
 PA. 19475

9558 ROUTE 22
 P.O. BOX 93
 BLAIRSVILLE,
 PA. 15717

PHONE:
 (610) 948-4600
 FAX:
 (610) 948-9750

PHONE:
 (724) 459-5950
 FAX:
 (724) 459-9151

Precast Concrete
 TOLL BOTH ISLANDS

FILE NAME: TOLL-BOOTH

DATE: 6/02/18

DRAWN BY: BTH