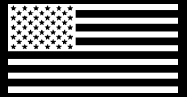




8' x 7'-6"

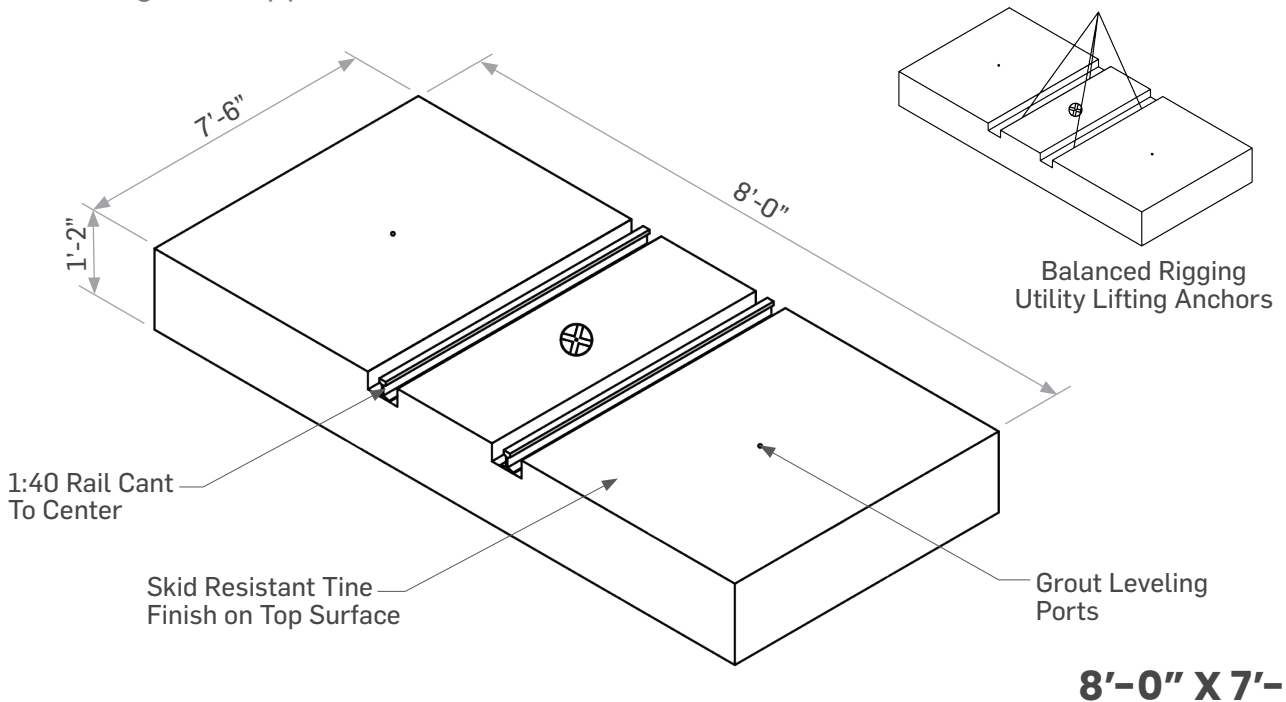
CROSSTRACK

RAILROAD TRACK SUPPORT SYSTEM



ENGINEERED PRECAST CONCRETE RAIL CROSSING SURFACE

CrossTrack Railroad Track Support System is designed and engineered for use with freight, commuter, and light rail applications.



FEATURES & BENEFITS

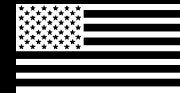
- > **Maintenance Free:** Our standard CrossTrack is a maintenance free crossing surface for freight, commuter, and light rail applications.
- > **Fast & Simple Installation:** Using (4) embedded balanced rigging utility lifting anchors.
- > **Leveling Ports:** Allows for fast easy direct epoxy jacking.
- > **Single Piece Casting:** Provides 6,000 PSI single piece concrete.
- > **E-Clip Fasteners:** Galvanized spring steel with insulators.
- > **Skid Resistant Finish:** Skid resistant tine top surface finish with chamfered edges.

SPECIFICATIONS

- > **Design Loading:** Designed for Cooper E-80 with 60% impact and HS-25 with 30% impact.
- > **Rebar:** ASTM 615, Grade 60, Plain
- > **Concrete:** Minimum 28 day strength to be 6,000 PSI with corrosion-inhibiting admixture.
- > **Surface Sealer:** Exposed surface penetrating sealer: BASF MasterProtect H200
- > **Dimensions:** Standard CrossTrack components are 8'-0" W x 7'-6" long x 1'-2" deep and come standard with chamfered top edges and a skid resistant tine finish.
- > **Rail Block-Out:** Rail block-out height equals rail height. Block-out width is based on rail size.

For more information please contact us at 610-948-4600 or email us at info@acmiller.com

CROSSTRACK

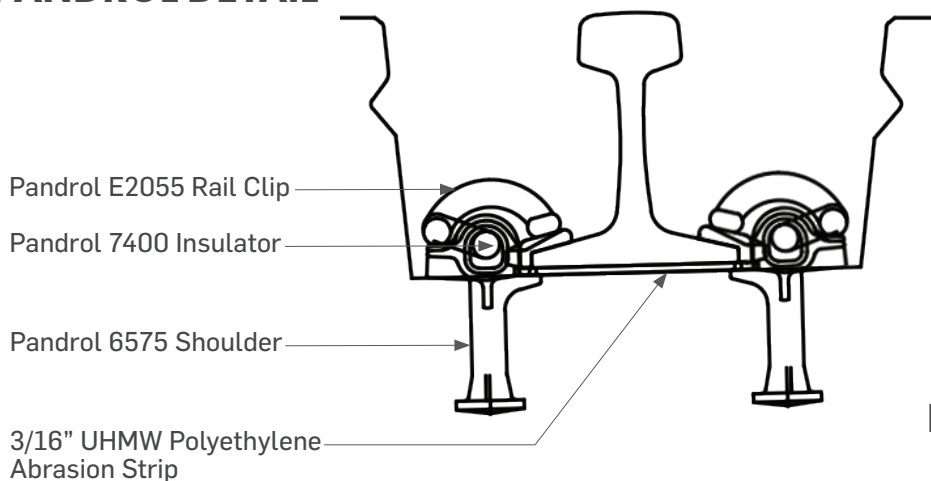


RAILROAD TRACK SUPPORT SYSTEM

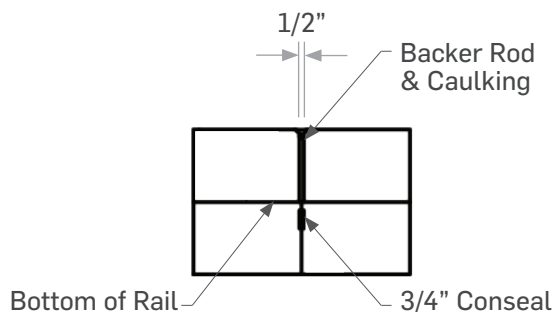
TRUSTED AND PREFERRED RAIL CROSSING FOUNDATION

CrossTrack is the proven and trusted rail crossing foundation that combines rapid installation with superior performance to provide a versatile, industry leading railroad track support solution.

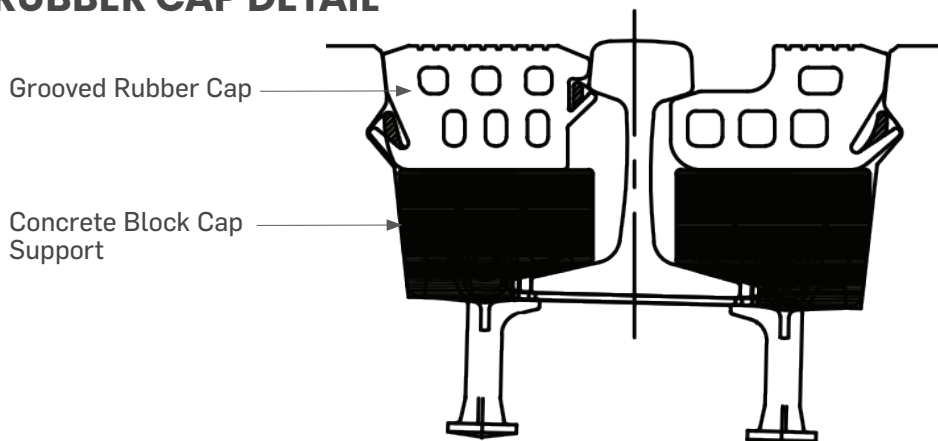
PANDROL DETAIL



BACKER ROD DETAIL



RUBBER CAP DETAIL



(NOTE: IMAGES AND DRAWINGS ARE FOR REFERENCE ONLY AND ARE NOT TO SCALE)

